

UT8CR512K32 16 Megabit SRAM

Data Sheet

March 2009

www.aeroflex.com/Memories



FEATURES

- ❑ 17ns maximum access time
- ❑ Asynchronous operation for compatibility with industry-standard 512K x 8 SRAMs
- ❑ CMOS compatible inputs and output levels, three-state bidirectional data bus
 - I/O Voltage 3.3 volts, 1.8 volt core
- ❑ Operational environment:
 - Intrinsic total-dose: 300 krad(Si)
 - SEL Immune >100 MeV-cm²/mg
 - LET_{th} (0.25): 53.0 MeV-cm²/mg
 - Memory Cell Saturated Cross Section 1.67E-7cm²/bit
 - Neutron Fluence: 3.0E14n/cm²
 - Dose Rate
 - Upset 1.0E9 rad(Si)/sec
 - Latchup 1.0E11 rad(Si)/sec
- ❑ Packaging options:
 - 68-lead ceramic quad flatpack (20.238 grams with lead frame)
- ❑ Standard Microcircuit Drawing 5962-04227
 - QML Q & V compliant part

INTRODUCTION

The UT8CR512K32 is a high-performance CMOS static RAM multi-chip module (MCM), organized as four individual 524,288 words by 8 bit SRAMs with common output enable. Easy memory expansion is provided by active LOW chip enables (\overline{E}_n), an active LOW output enable (\overline{G}), and three-state drivers. This device has a power-down feature that reduces power consumption by more than 90% when deselected.

Writing to each memory is accomplished by taking the corresponding chip enable (\overline{E}_n) input LOW and write enable (\overline{W}_n) input LOW. Data on the I/O pins is then written into the location specified on the address pins (A_0 through A_{18}). Reading from the device is accomplished by taking the chip enable (\overline{E}_n) and output enable (\overline{G}) LOW while forcing write enable (\overline{W}_n) HIGH. Under these conditions, the contents of the memory location specified by the address pins will appear on the I/O pins.

The input/output pins are placed in a high impedance state when the device is deselected (\overline{E}_n HIGH), the outputs are disabled (\overline{G} HIGH), or during a write operation (\overline{E}_n LOW and \overline{W}_n LOW). Perform 8, 16, 24 or 32 bit accesses by making \overline{W}_n along with \overline{E}_n a common input to any combination of the discrete memory die.

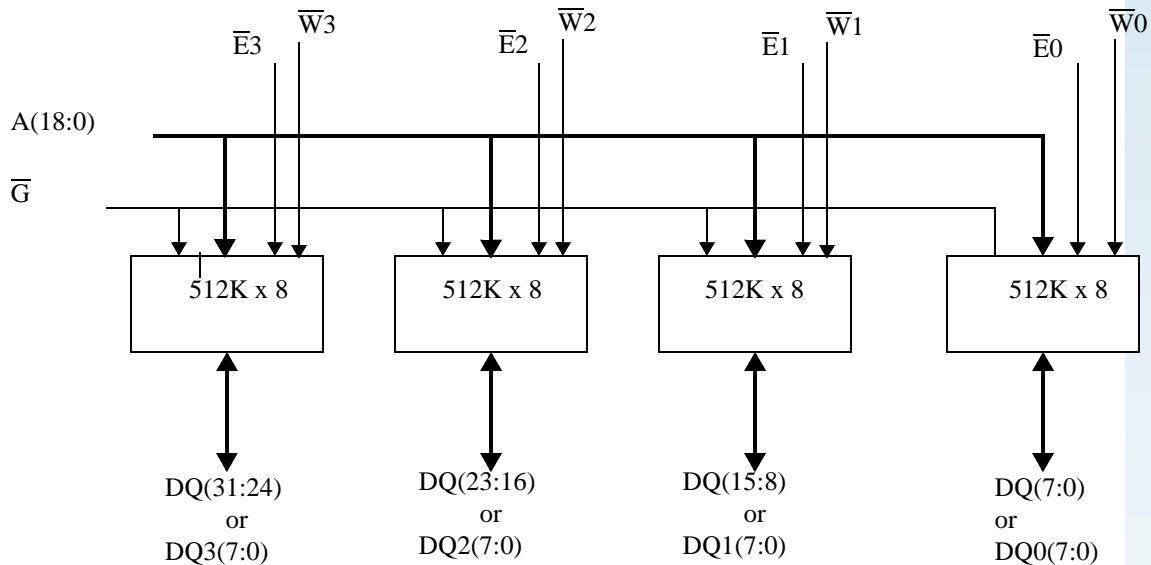


Figure 1. UT8CR512K32 SRAM Block Diagram

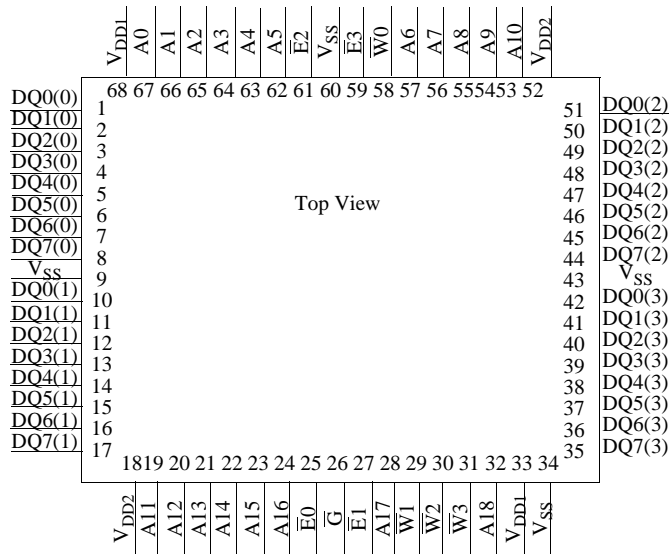


Figure 2. 17ns SRAM Pinout 68)

PIN NAMES

A(18:0)	Address
DQ(7:0)	Data Input/Output
$\overline{E}n$ (4:1)	Chip Enable
$\overline{W}n$ (4:1)	Write Enable
\overline{G}	Output Enable
V _{DD1}	Power (1.8V)
V _{DD2}	Power (3.3V)
V _{SS}	Ground

DEVICE OPERATION

Each die in the UT8CR512K32 has three control inputs called Chip Enable ($\overline{E}n$), Write Enable ($\overline{W}n$), and Output Enable (\overline{G}); 19 address inputs, A(18:0); and eight bidirectional data lines, DQ(7:0). The chip enable ($\overline{E}n$) controls device selection, active, and standby modes. Asserting $\overline{E}n$ enables the device, causes I_{DD} to rise to its active value, and decodes the 19 address inputs to each memory die by selecting the 2,048,000 byte of memory. $\overline{W}n$ controls read and write operations. During a read cycle, \overline{G} must be asserted to enable the outputs.

Table 1. Device Operation Truth Table

\overline{G}	\overline{W}	\overline{E}	I/O Mode	Mode
X	X	1	3-state	Standby
X	0	0	Data in	Write
1	1	0	3-state	Read ²
0	1	0	Data out	Read

Notes:

1. "X" is defined as a "don't care" condition.
2. Device active; outputs disabled.

READ CYCLE

A combination of $\overline{W}n$ greater than V_{IH} (min) with $\overline{E}n$ and \overline{G} less than V_{IL} (max) defines a read cycle. Read access time is measured from the latter of Chip Enable, Output Enable, or valid address to valid data output.

SRAM read Cycle 1, the Address Access, in Figure 3a, is initiated by a change in address inputs while and chip is enabled with \overline{G} asserted and $\overline{W}n$ deasserted. Valid data appears on data outputs DQn(7:0) after the specified t_{AVQV} is satisfied. Outputs remain active throughout the entire cycle. As long as Chip Enable and Output Enable are active, the address inputs may change at a rate equal to the minimum read cycle time (t_{AVAV}).

SRAM read Cycle 2, the Chip Enable-controlled Access, in Figure 3b, is initiated by $\overline{E}n$ going active while \overline{G} remains asserted, $\overline{W}n$ remains deasserted, and the addresses remain stable for the entire cycle. After the specified t_{ETQV} is satisfied, the eight-bit word addressed by A(18:0) is accessed and appears at the data outputs DQn(7:0).

SRAM read Cycle 3, the Output Enable-controlled Access, in Figure 3c, is initiated by \overline{G} going active while $\overline{E}n$ is asserted, $\overline{W}n$ is deasserted, and the addresses are stable. Read access time is t_{GLQV} unless t_{AVQV} or t_{ETQV} have not been satisfied.

WRITE CYCLE

A combination of \overline{Wn} less than $V_{IL}(\max)$ and \overline{En} less than $V_{IL}(\max)$ defines a write cycle. The state of \overline{G} is a “don’t care” for a write cycle. The outputs are placed in the high-impedance state when either \overline{G} is greater than $V_{IH}(\min)$, or when \overline{Wn} is less than $V_{IL}(\max)$.

Write Cycle 1, the Write Enable-controlled Access is defined by a write terminated by \overline{Wn} going high, with \overline{En} still active. The write pulse width is defined by t_{WLWH} when the write is initiated by \overline{Wn} , and by t_{ETWH} when the write is initiated by \overline{En} . Unless the outputs have been previously placed in the high-impedance state by \overline{G} , the user must wait t_{WLQZ} before applying data to the eight bidirectional pins DQn(7:0) to avoid bus contention.

Write Cycle 2, the Chip Enable-controlled Access is defined by a write terminated by the former of \overline{En} or \overline{Wn} going inactive. The write pulse width is defined by t_{WLEF} when the write is initiated by \overline{Wn} , and by t_{TEF} when the write is initiated by the \overline{En} going active. For the \overline{Wn} initiated write, unless the outputs have been previously placed in the high-impedance state by \overline{G} , the user must wait t_{WLQZ} before applying data to the eight bidirectional pins DQn (7:0) to avoid bus contention.

Operational Environment

The UT8CR512K32 SRAM incorporates special design and layout features which allows operation in a limited environment.

Table 2. Operational Environment Design Specifications¹

Total Dose	300K	rad(Si)
Heavy Ion Error Rate ²	8.9×10^{-10}	Errors/Bit-Day

Notes:

1. The SRAM is immune to latchup to particles $>100\text{MeV}\cdot\text{cm}^2/\text{mg}$.
2. 90% worst case particle environment, Geosynchronous orbit, 100 mils of Aluminum.

Supply Sequencing

No supply voltage sequencing is required between V_{DD1} and V_{DD2} .

ABSOLUTE MAXIMUM RATINGS¹

(Referenced to V_{SS})

SYMBOL	PARAMETER	LIMITS
V_{DD1}	DC supply voltage	-0.3 to 2.1V
V_{DD2}	DC supply voltage	-0.3 to 3.8V
$V_{I/O}$	Voltage on any pin	-0.3 to 3.8V
T_{STG}	Storage temperature	-65 to +150°C
P_D	Maximum power dissipation	1.2W
T_J	Maximum junction temperature ²	+150°C
Θ_{JC}	Thermal resistance, junction-to-case ³	5°C/W
I_I	DC input current	±5 mA

Notes:

1. Stresses outside the listed absolute maximum ratings may cause permanent damage to the device. This is a stress rating only, and functional operation of the device at these or any other conditions beyond limits indicated in the operational sections of this specification is not recommended. Exposure to absolute maximum rating conditions for extended periods may affect device reliability and performance.
2. Maximum junction temperature may be increased to +175°C during burn-in and steady-static life.
3. Test per MIL-STD-883, Method 1012.

RECOMMENDED OPERATING CONDITIONS

SYMBOL	PARAMETER	LIMITS
V_{DD1}	Positive supply voltage	1.7 to 1.9V ¹
V_{DD2}	Positive supply voltage	3.0 to 3.6V
T_C	Case temperature range	(P) Screening: 25°C (C) Screening: -55 to +125°C (W) Screening: -40 to +125°C
V_{IN}	DC input voltage	0V to V_{DD2}

Notes:

1. For increased noise immunity, supply voltage (V_{DD1}) can be increased to 2.0V. If not tested, all applicable DC and AC characteristics are guaranteed by characterization at $V_{DD1}(\text{max}) = 2.0V$.

DC ELECTRICAL CHARACTERISTICS (Pre and Post-Radiation)*

Unless otherwise noted, Tc is per the temperature ordered

SYMBOL	PARAMETER	CONDITION	MIN	MAX	UNIT	
V _{IH}	High-level input voltage		.7*V _{DD2}		V	
V _{IL}	Low-level input voltage			.3*V _{DD2}	V	
V _{OL1}	Low-level output voltage	I _{OL} = 8mA, V _{DD2} = V _{DD2} (min)		.2*V _{DD2}	V	
V _{OH1}	High-level output voltage	I _{OH} = -4mA, V _{DD2} = V _{DD2} (min)	.8*V _{DD2}		V	
C _{IN} ¹	Input capacitance	f = 1MHz @ 0V		44	pF	
C _{IO} ¹	Bidirectional I/O capacitance	f = 1MHz @ 0V		21	pF	
I _{IN}	Input leakage current	V _{IN} = V _{DD2} and V _{SS}	-2	2	μA	
I _{OZ}	Three-state output leakage current	V _O = V _{DD2} and V _{SS} , V _{DD2} = V _{DD2} (max) \overline{G} = V _{DD2} (max)	-2	2	μA	
I _{OS} ^{2,3}	Short-circuit output current	V _{DD2} = V _{DD2} (max), V _O = V _{DD2} V _{DD2} = V _{DD2} (max), V _O = V _{SS}	-100	+100	mA	
I _{DD1} (OP ₁)	Supply current operating @ 1MHz	Inputs : V _{IL} = V _{SS} + 0.2V V _{IH} = V _{DD2} - 0.2V, I _{OUT} = 0 V _{DD2} = V _{DD2} (max)	V _{DD1} = 1.9V		70	mA
			V _{DD1} = 2.0V		76	mA
I _{DD1} (OP ₂)	Supply current operating @ 58.8MHz	Inputs : V _{IL} = V _{SS} + 0.2V, V _{IH} = V _{DD2} - 0.2V, I _{OUT} = 0 V _{DD2} = V _{DD2} (max)	V _{DD1} = 1.9V		122	mA
			V _{DD1} = 2.0V		150	mA
I _{DD2} (OP ₁)	Supply current operating @ 1MHz	Inputs : V _{IL} = V _{SS} + 0.2V V _{IH} = V _{DD2} - 0.2V, I _{OUT} = 0 V _{DD1} = V _{DD1} (max), V _{DD2} = V _{DD2} (max)		.35	mA	
I _{DD2} (OP ₂)	Supply current operating @ 58.8MHz	Inputs : V _{IL} = V _{SS} + 0.2V, V _{IH} = V _{DD2} - 0.2V, I _{OUT} = 0 V _{DD1} = V _{DD1} (max), V _{DD2} = V _{DD2} (max)		11	mA	

$I_{DD1}(SB)^4$	Supply current standby @ 0Hz	CMOS inputs , $I_{OUT} = 0$ $\bar{E} = V_{DD2} - 0.2$ $V_{DD2} = V_{DD2} (\text{max})$	$V_{DD1} = 1.9V$		65	mA
			$V_{DD1} = 2.0V$		72	mA
$I_{DD2}(SB)^4$			$V_{DD1} = V_{DD1}(\text{max})$		8	μA
$I_{DD1}(SB)^4$	Supply current standby A(18:0) @ 58.8MHz	CMOS inputs , $I_{OUT} = 0$ $\bar{E} = V_{DD2} - 0.2$ $V_{DD2} = V_{DD2} (\text{max})$	$V_{DD1} = 1.9V$		65	mA
			$V_{DD1} = 2.0V$		72	mA
$I_{DD2}(SB)^4$			$V_{DD1} = V_{DD1}(\text{max})$		8	μA

Notes:

* For devices procured with a total ionizing dose tolerance guarantee, the post-irradiation performance is guaranteed at 25°C per MIL-STD-883 Method 1019, Condition A up to the maximum TID level procured. .

1. Measured only for initial qualification and after process or design changes that could affect input/output capacitance.
2. Supplied as a design limit but not guaranteed or tested.
3. Not more than one output may be shorted at a time for maximum duration of one second.
4. $V_{IH} = V_{DD2} (\text{max})$, $V_{IL} = 0V$.

AC CHARACTERISTICS READ CYCLE (Pre and Post-Radiation)*

$V_{DD1} = V_{DD1}(\text{min})$, $V_{DD2} = V_{DD2}(\text{min})$; Unless otherwise noted, T_c is per the temperature ordered

SYMBOL	PARAMETER	8CR512-155		UNIT
		MIN	MAX	
t_{AVAV}^1	Read cycle time	17		ns
t_{AVQV}	Read access time		17	ns
t_{AXQX}^2	Output hold time	3		ns
$t_{GLQX}^{1,2}$	\overline{G} -controlled output enable time	0		ns
t_{GLQV}	\overline{G} -controlled read access time		7	ns
t_{GHQZ}^2	\overline{G} -controlled output three-state time		7	ns
$t_{ETQX}^{2,3}$	E-controlled output enable time	5		ns
t_{ETQV}^3	E-controlled access time		17	ns
t_{EFQZ}^4	E-controlled output three-state time ²		10	ns

- Notes:**
- * For devices procured with a total ionizing dose tolerance guarantee, the post-irradiation performance is guaranteed at 25°C per MIL-STD-883 Method 1019, Condition A up to the maximum TID level procured.
 - 1. Guaranteed, but not tested.
 - 2. Three-state is defined as a 200mV change from steady-state output voltage.
 - 3. The ET (enable true) notation refers to the latter falling edge of \overline{E} . SEU immunity does not affect the read parameters.
 - 4. The EF (chip enable false) notation refers to the latter rising edge of \overline{E} . SEU immunity does not affect the read parameters.

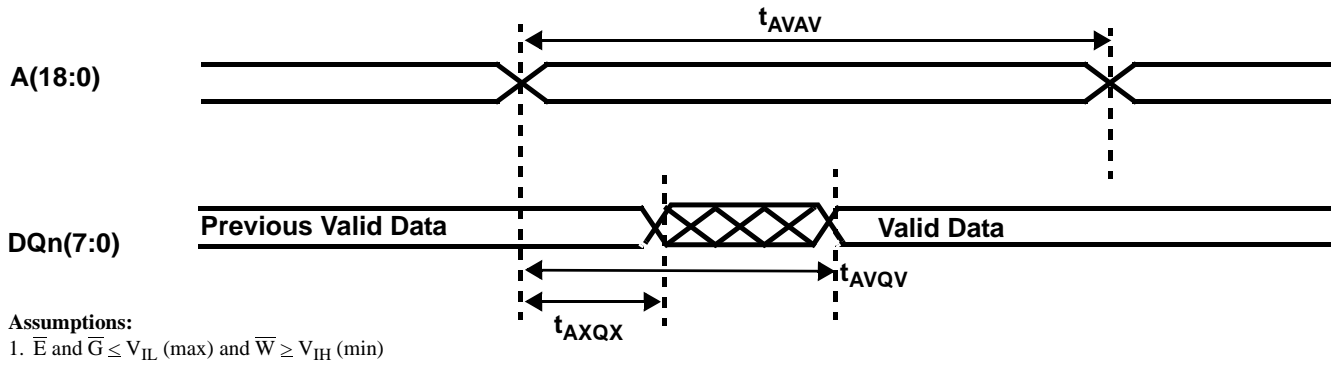


Figure 3a. SRAM Read Cycle 1: Address Access

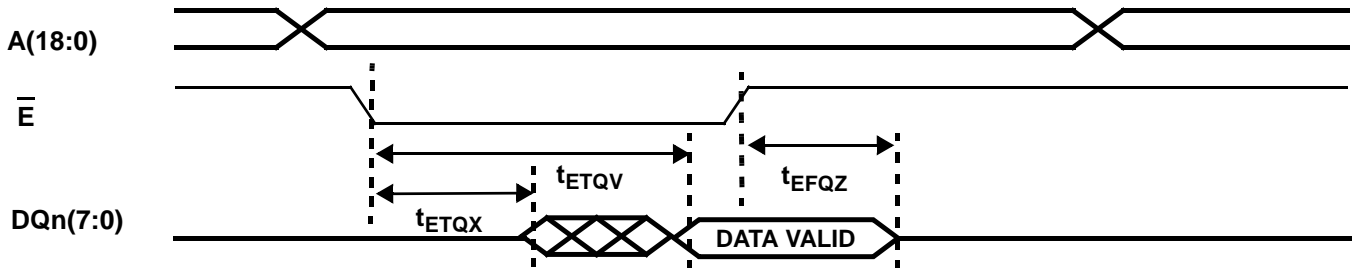


Figure 3b. SRAM Read Cycle 2: Chip Enable-Controlled Access

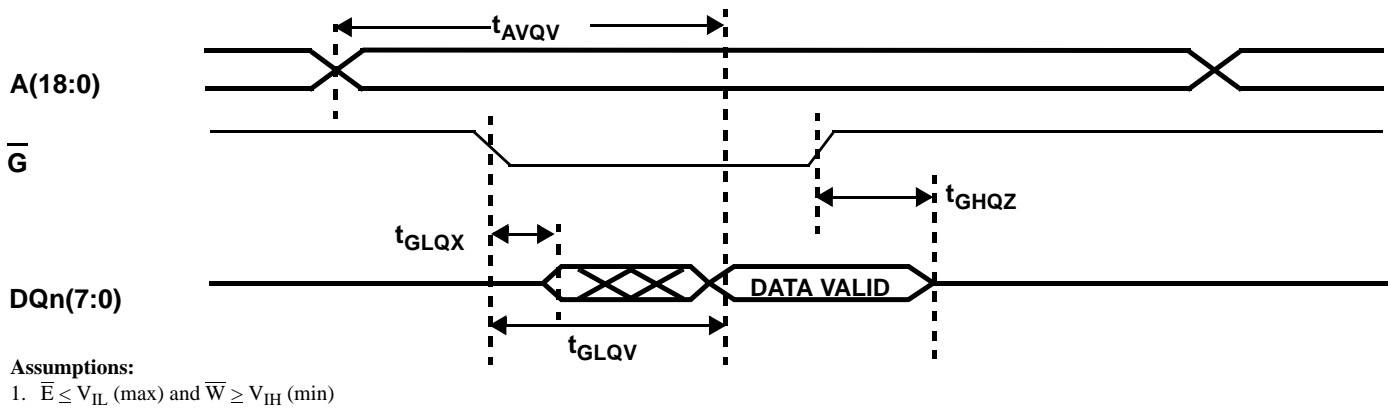


Figure 3c. SRAM Read Cycle 3: Output Enable-Controlled Access

AC CHARACTERISTICS WRITE CYCLE (Pre and Post-Radiation)*

$V_{DD1} = V_{DD1}(\text{min})$, $V_{DD2} = V_{DD2}(\text{min})$; Unless otherwise noted, T_c is per the temperature ordered

SYMBOL	PARAMETER	8ER512		UNIT
		MIN	MAX	
t_{AVAV}^1	Write cycle time	17		ns
t_{ETWH}	Chip enable to end of write	12		ns
t_{AVET}	Address setup time for write (\overline{E} - controlled)	0		ns
t_{AVWL}	Address setup time for write (\overline{W} - controlled)	0		ns
t_{WLWH}	Write pulse width	12		ns
t_{WHAX}	Address hold time for write (\overline{W} - controlled)	2		ns
t_{EFAX}	Address hold time for chip enable (\overline{E} - controlled)	0		ns
t_{WLQZ}^2	\overline{W} - controlled three-state time		5	ns
t_{WHQX}^2	\overline{W} - controlled output enable time	4		ns
t_{ETEF}	Chip enable pulse width (\overline{E} - controlled)	12		ns
t_{DVWH}	Data setup time	7		ns
t_{WHDX}	Data hold time	2		ns
t_{WLEF}	Chip enable controlled write pulse width	12		ns
t_{DVEF}	Data setup time	12		ns
t_{EFDX}	Data hold time	0		ns
t_{AVWH}	Address valid to end of write	12		ns
t_{WHWL}^1	Write disable time	3		ns

Notes:

* For devices procured with a total ionizing dose tolerance guarantee, the post-irradiation performance is guaranteed at 25°C per MIL-STD-883 Method 1019, Condition A up to the maximum TID level procured.

1. Test with \overline{G} high.
2. Three-state is defined as 200mV change from steady-state output voltage.

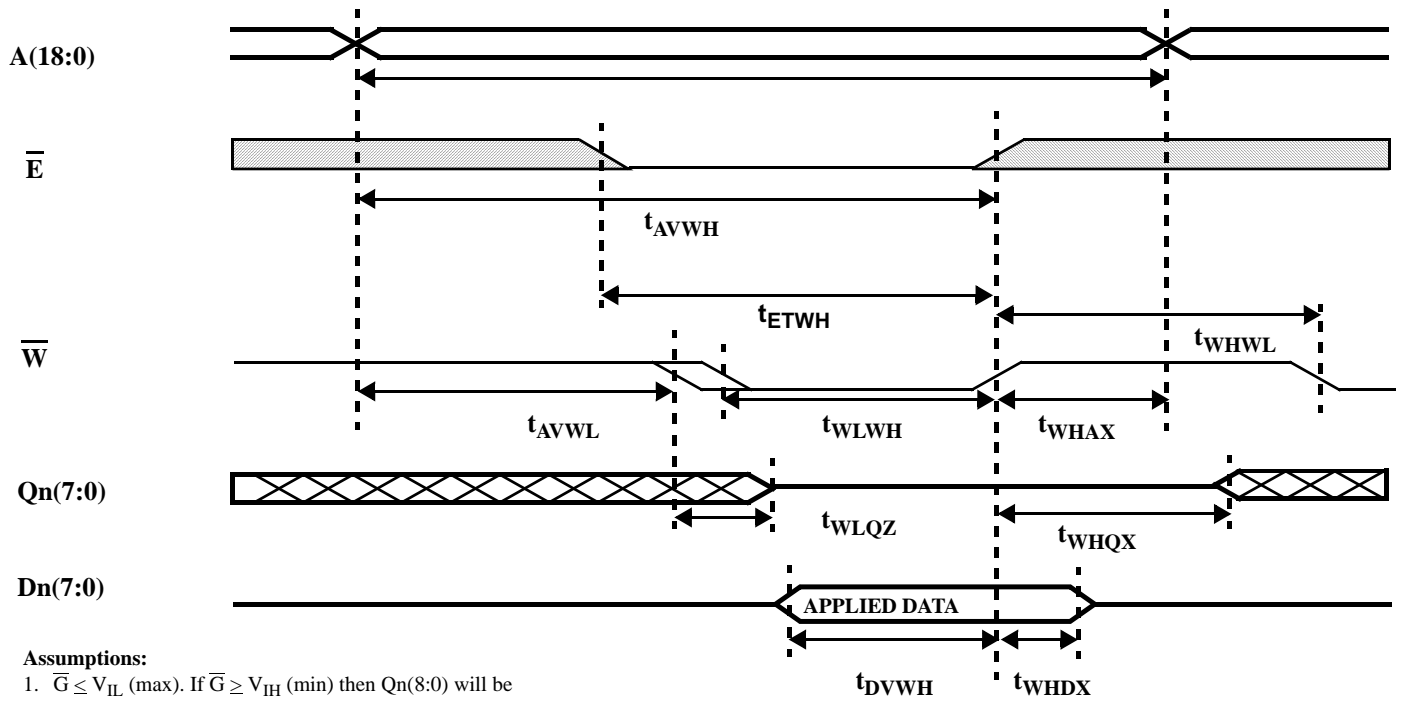
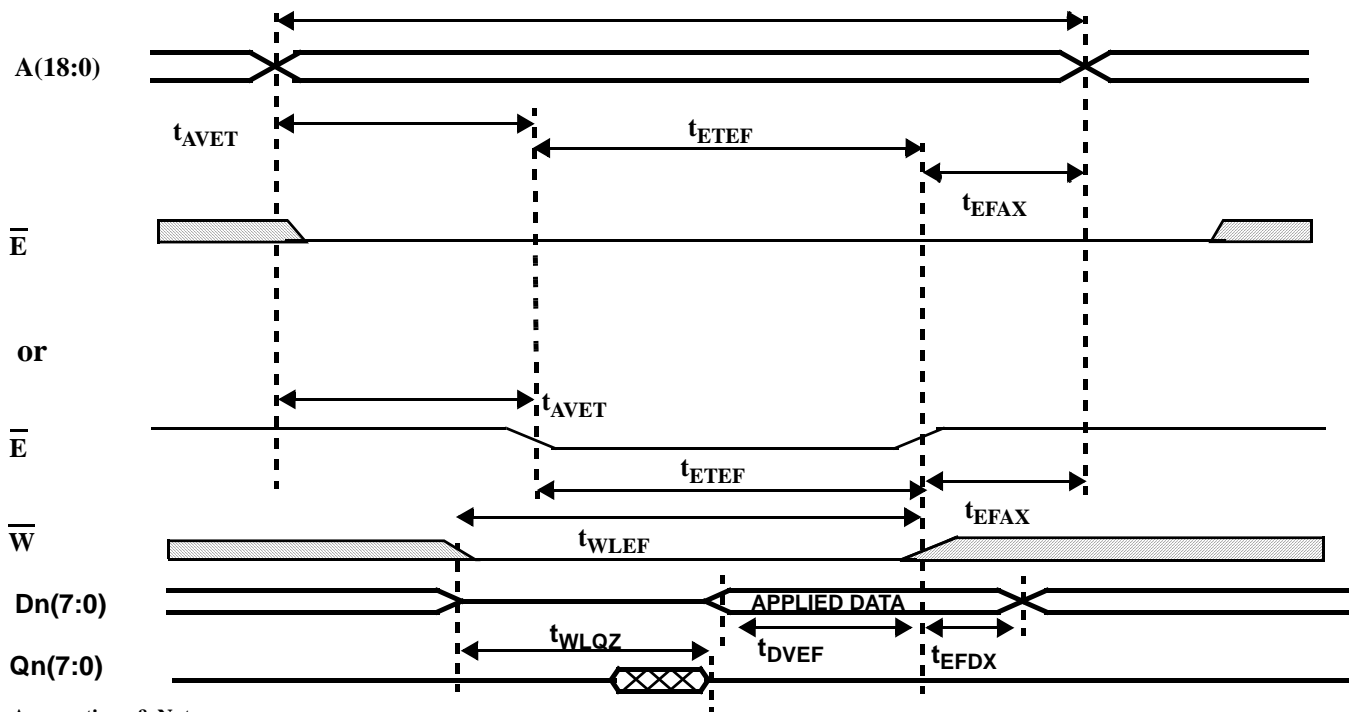


Figure 4a. SRAM Write Cycle 1: Write Enable - Controlled Access



Assumptions & Notes:

1. $\bar{G} \leq V_{IL}(\text{max})$. If $\bar{G} \geq V_{IH}(\text{min})$ then $Q_n(7:0)$ will be in three-state for the entire cycle.
2. Either \bar{E} scenario above can occur.

Figure 4b. SRAM Write Cycle 2: Chip Enable - Controlled Access

DATA RETENTION CHARACTERISTICS (Pre-Radiation)* ($V_{DD2} = V_{DD2}(\text{min})$, 1 Sec DR Pulse)

SYMBOL	PARAMETER	TEMP	MINIMUM	MAXIMUM	UNIT
V_{DR}	V_{DD1} for data retention	--	1.0	--	V
I_{DDR}^1 Device Type 1	Data retention current	-55°C	--	700	μA
		25°C	--	700	μA
		125°C	--	55	mA
I_{DDR}^1 Device Type 2	Data retention current	-40°C	--	700	μA
		25°	--	700	μA
		125°C	--	55	mA
$t_{EFR}^{1,2}$	Chip deselect to data retention time	--	0	--	ns
$t_R^{1,2}$	Operation recovery time	--	t_{AVAV}	--	ns

Notes:

- * For devices procured with a total ionizing dose tolerance guarantee, the post-irradiation performance is guaranteed at 25°C per MIL-STD-883 Method 1019, Condition A up to the maximum TID level procured.
- 1. $\bar{E} = V_{DD2}$ all other inputs = V_{DD2} or V_{SS}
- 2. $V_{DD2} = 0$ volts to $V_{DD2}(\text{max})$

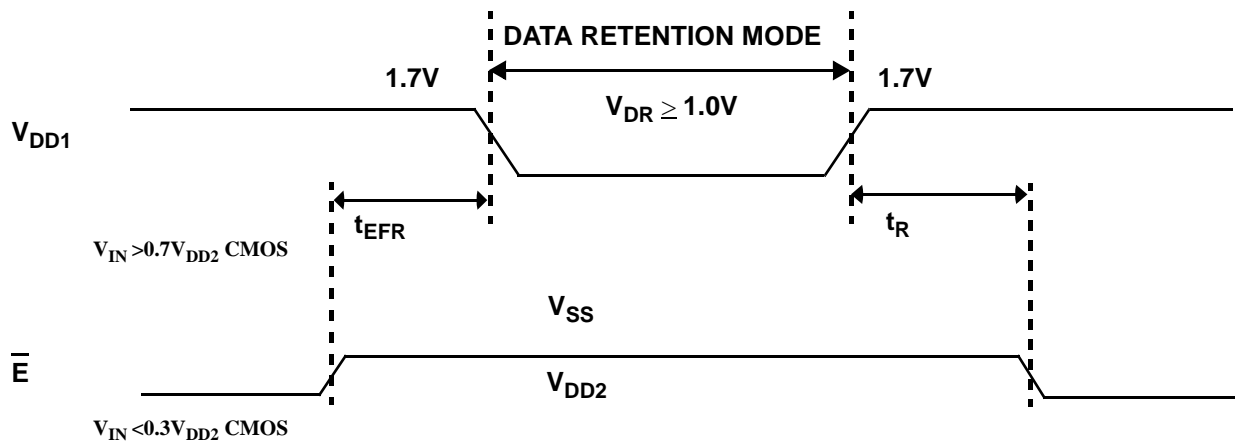
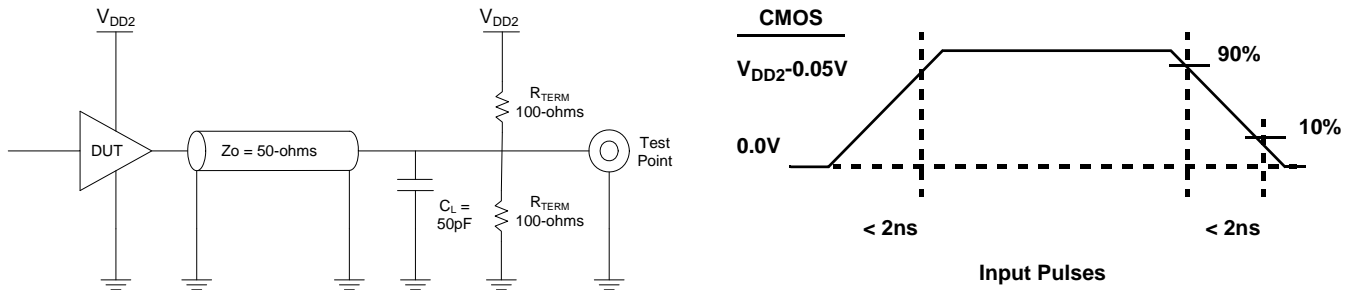


Figure 5. Low V_{DD} Data Retention Waveform

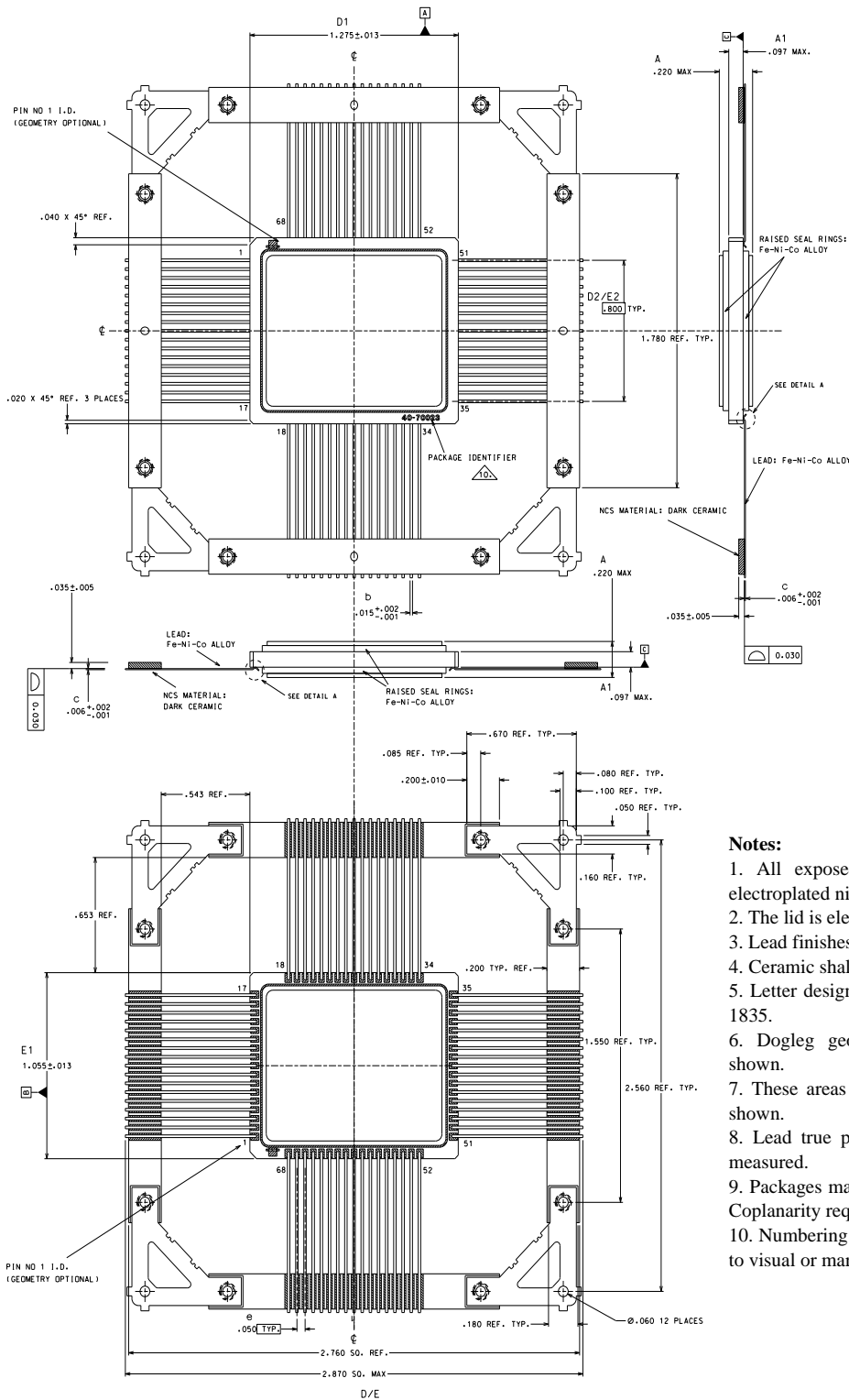


Notes:

- 1. Measurement of data output occurs at the low to high or high to low transition mid-point (i.e., CMOS input = $V_{DD2}/2$).

Figure 6. AC Test Loads and Input Waveforms

PACKAGING



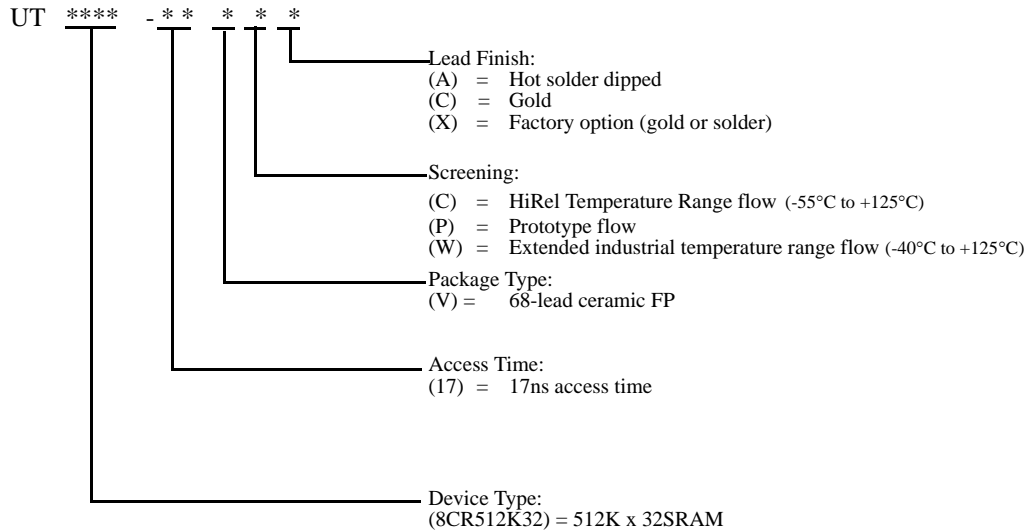
Notes:

1. All exposed metalized areas are gold plated electroplated nickel per MIL-PRF-38535.
2. The lid is electrically connected to V_{SS} .
3. Lead finishes are in accordance to MIL-PRF-38535.
4. Ceramic shall be dark alumina.
5. Letter designations are to cross reference to MIL-S 1835.
6. Dogleg geometries are optional within dimen: shown.
7. These areas may have notches and tabs different shown.
8. Lead true position tolerances and coplanarity are measured.
9. Packages may be shipped with repaired leads as sh: Coplanarity requirements do not apply in the repaired :
10. Numbering and lettering on the ceramic are not su: to visual or marking criteria.

Figure 7. 68-pin Ceramic FLATPACK

ORDERING INFORMATION

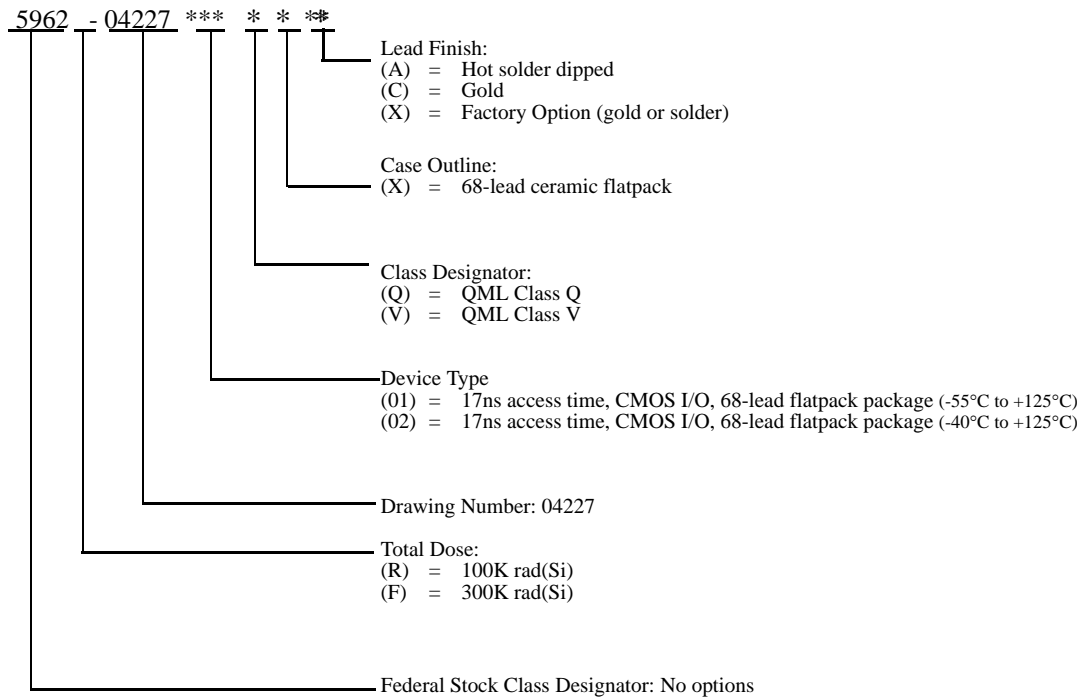
512K32 SRAM:



Notes:

1. Lead finish (A,C, or X) must be specified.
2. If an "X" is specified when ordering, then the part marking will match the lead finish and will be either "A" (solder) or "C" (gold).
3. Prototype flow per Aeroflex Colorado Springs Manufacturing Flows Document. Tested at 25°C only. Lead finish is GOLD ONLY. Radiation neither tested nor guaranteed.
4. HiRel Temperature Range flow per Aeroflex Colorado Springs Manufacturing Flows Document. Devices are tested at -55°C, room temp, and 125°C. Radiation neither tested nor guaranteed.
5. Extended Industrial Range flow per Aeroflex Colorado Springs Manufacturing Flows Document. Devices are tested at -40°C, room temp, and 125°C. Radiation neither tested nor guaranteed.

512K x 32 SRAM: SMD



Notes:

1. Lead finish (A, C, or X) must be specified.
2. If an "X" is specified when ordering, part marking will match the lead finish and will be either "A" (solder) or "C" (gold).
3. Total dose radiation must be specified when ordering. QML Q and QML V not available without radiation hardening.

NOTES

Aeroflex Colorado Springs - Datasheet Definition

Advanced Datasheet - Product In Development

Preliminary Datasheet - Shipping Prototype

Datasheet - Shipping QML & Reduced Hi-Rel

COLORADO

Toll Free: 800-645-8862
Fax: 719-594-8468

INTERNATIONAL

Tel: 805-778-9229
Fax: 805-778-1980

NORTHEAST

Tel: 603-888-3975
Fax: 603-888-4585

SE AND MID-ATLANTIC

Tel: 321-951-4164
Fax: 321-951-4254

WEST COAST

Tel: 949-362-2260
Fax: 949-362-2266

CENTRAL

Tel: 719-594-8017
Fax: 719-594-8468

www.aeroflex.com info-ams@aeroflex.com



Aeroflex UTMC Microelectronic Systems Inc. (Aeroflex) reserves the right to make changes to any products and services herein at any time without notice. Consult Aeroflex or an authorized sales representative to verify that the information in this data sheet is current before using this product. Aeroflex does not assume any responsibility or liability arising out of the application or use of any product or service described herein, except as expressly agreed to in writing by Aeroflex; nor does the purchase, lease, or use of a product or service from Aeroflex convey a license under any patent rights, copyrights, trademark rights, or any other of the intellectual rights of Aeroflex or of third parties.



Our passion for performance is defined by three attributes represented by these three icons: solution-minded, performance-driven and customer-focused

Low Power SRAM Read Operations

Table 1: Cross Reference of Applicable Products

Product Name:	Manufacturer Part Number	SMD #	Device Type	Internal PIC Number:*
4M Asynchronous SRAM	UT8R128K32	5962-03236	01 & 02	WC03
4M Asynchronous SRAM	UT8R512K8	5962-03235	01 & 02	WC01
16M Asynchronous SRAM	UT8CR512K32	5962-04227	01 & 02	MQ08
16M Asynchronous SRAM	UT8ER512K32	5962-06261	05 & 06	WC04/05
4M Asynchronous SRAM	UT8Q512E	5962-99607	05 & 06	WJ02
4M Asynchronous SRAM	UT9Q512E	5962-00536	05 & 06	WJ01
16M Asynchronous SRAM	UT8Q512K32E	5962-01533	02 & 03	QS04
16M Asynchronous SRAM	UT9Q512K32E	5962-01511	02 & 03	QS03
32M Asynchronous SRAM	UT8ER1M32	5962-10202	01 - 04	QS16/17
64M Asynchronous SRAM	UT8ER2M32	5962-10203	01 - 04	QS09/10
128M Asynchronous SRAM	UT8ER4M32	5962-10204	01 - 04	QS11/12
40M Asynchronous SRAM	UT8R1M39	5962-10205	01 & 02	QS13
80M Asynchronous SRAM	UT8R2M39	5962-10206	01 & 02	QS14
160M Asynchronous SRAM	UT8R4M39	5962-10207	01 & 02	QS15

* PIC = Aeroflex's internal Product Identification Code

1.0 Overview

The purpose of this application note is to discuss the Aeroflex SRAMs low power read architecture and to inform users of the affects associated with the low power read operations.

2.0 Low Power Read Architecture

The aforementioned Aeroflex designed SRAMs all employ an architecture which reduces power consumption during read accesses. The architecture internally senses data only when new data is requested. A request for new data occurs anytime the chip enable device pin is asserted, or any of the device address inputs transition states while the chip enable is asserted. A trigger is generated and sent to the sensing circuit anytime a request for new data is observed. Since several triggers could occur simultaneously, these triggers are wire-ORed to result in a single sense amplifier activity for the read request. This design method results in less power consumption than designs that continually sense data. Aeroflex's low power SRAMs listed above activate the sensing circuit for approximately 5ns whenever and access is requested, thereby, significantly reducing active power.

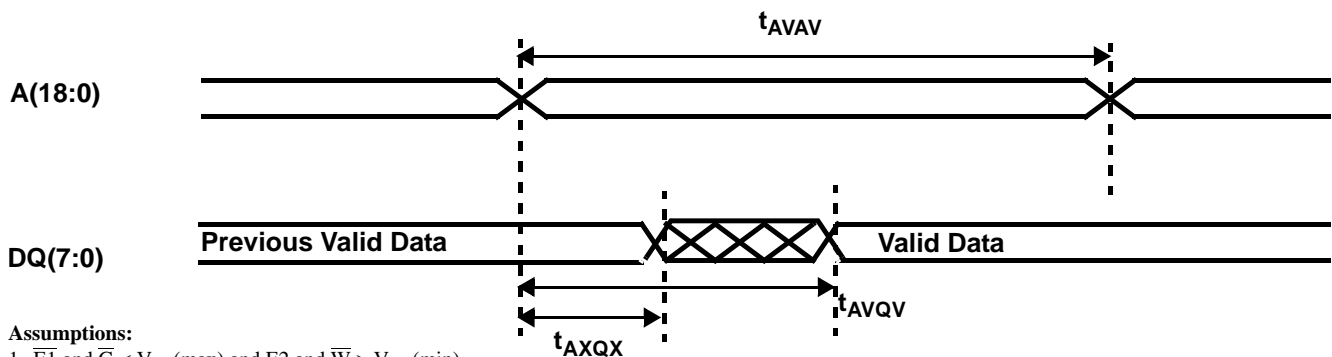
2.1 The SRAM Read Cycles.

The data sheets for all the devices noted in Table #1 discuss three methods for performing a read operation. The two most common methods for reading data are an Address Access and a Chip Enabled-Controlled Access. The third access discussed is the Output Enable-Controlled Access. The sequence at which control lines and address inputs are toggled determines which cycle is considered relevant. As discussed in section 2.0, an assertion of chip enable or any address transition while chip enable is asserted, initiates a read cycle. If the device chip enable is asserted prior to any address input transitions, then the read access is considered an Address Access. By keeping the device enabled and repeatedly switching address locations, the user retrieves all data of interest. A Chip Enable-Controlled Access occurs when the address signals are stable prior to asserting the chip enable. The Output Enabled-Controlled Access requires that either an Address Access or Chip Enable-Controlled Access has already been performed and the data is waiting for the Output Enable pin to assert, driving data to the device I/O pins.

The subsequent read cycle verbiage and diagrams are based on the Aeroflex UT8R512K8 data sheet. The number of control, input, and I/O pins will vary across the products listed in Table 1. The basic design family functionality for read operations is common among all the devices.

2.1.0 Address Access Read Cycle

The Address Access is initiated by a change in address inputs while the chip is enabled with \overline{G} asserted and \overline{W} deasserted. Valid data appears on data outputs DQ(7:0) after the specified t_{AVQV} is satisfied. Outputs remain active throughout the entire cycle. As long as chip enable and output enable are active, the address inputs may change at a rate equal to the minimum read cycle time (t_{AVAV}).

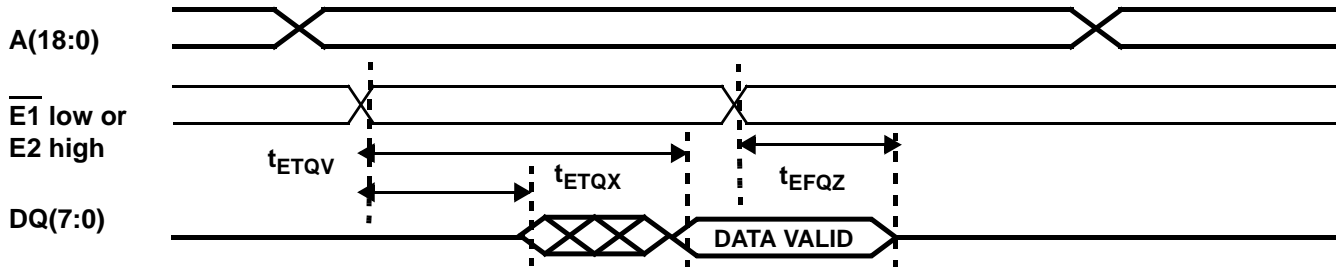


Note: No time references are relevant with respect to Chip Enable(s). Chip Enable(s) is assumed to be asserted.

SRAM Read Cycle 1: Address Access

2.1.1 Chip Enable-Controlled Read Cycle

The Chip Enable-controlled Access is initiated by $\overline{E1}$ and E2 going active while \overline{G} remains asserted, \overline{W} remains deasserted, and the addresses remain stable for the entire cycle. After the specified t_{ETQV} is satisfied, the eight-bit word addressed by A(18:0) is accessed and appears at the data outputs DQ(7:0).



Assumptions:

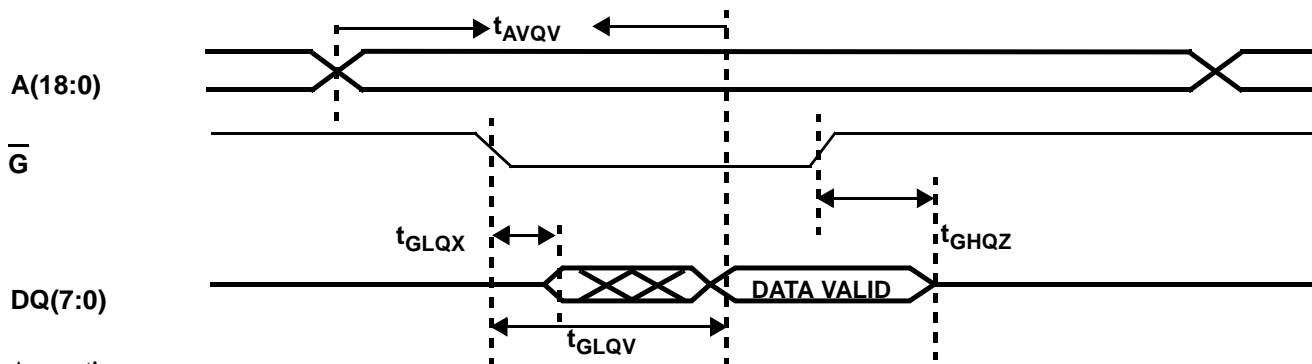
1. $\overline{G} \leq V_{IL}(\text{max})$ and $\overline{W} \geq V_{IH}(\text{min})$

Note: No specification is given for address set-up time with respect to chip enable assertion. The read cycle description states that addresses are to remain stable for the entire cycle. Address set-up time relative to chip enable is assumed to be 0ns minimum.

SRAM Read Cycle 2: Chip Enable Access

2.1.1 Output Enabled-Controlled Read Cycle

The Output Enable-controlled Access is initiated by \overline{G} going active while $\overline{E1}$ and E2 are asserted, \overline{W} is deasserted, and the addresses are stable. Read access time is t_{GLQV} unless t_{AVQV} or t_{ETQV} have not been satisfied.



Assumptions:

1. $\overline{E1} \leq V_{IL}(\text{max})$, $E2 >$ and $\overline{W} \geq V_{IH}(\text{min})$

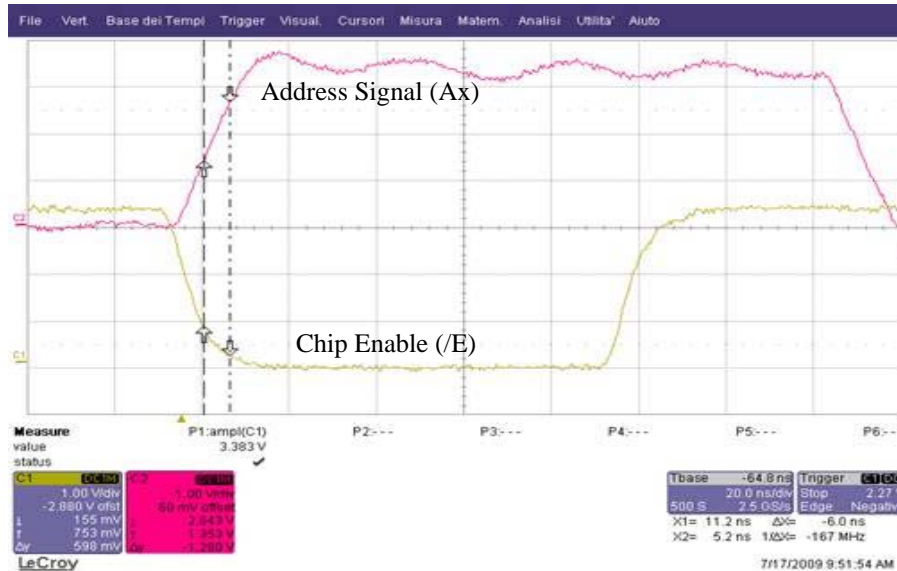
SRAM Read Cycle 3: Output Enable Access

3.0 Low Power Read Architecture Timing Consideration

The low power read architecture employed by Aeroflex designed SRAMs results in significant power reduction, especially in applications with longer than minimum read cycle times. However, this type of architecture is responsive to excessive input signal skew when device addressing and chip enable assertion occur simultaneously. Signal skew of greater than 4-5ns between all of the read triggering activities is sufficient to start another read cycle.

3.1 Simultaneous Control and Address Switching

Simultaneous switching of controls and address pins, alone, is not a problem; excessive skew between them is the concern. Consider the application where several SRAM devices are connected to the same memory bus. The address bus is commonly connected to all the devices, but the chip enable pin is singularly connected to each individual SRAM. This configuration results in a loading difference between the address inputs and the chip enable. This lightly loaded chip enable propagates to the memory more quickly than the heavily loaded address lines. The oscilloscope capture of Figure #1 is the actual timing of an application which had intermittent data errors due to address transitions lagging chip enable.



- Timing shown from VIL (yellow trace /CS) and VIH (pink for address signal) as $\Delta X = 6\text{ns}$. Even at actual internal gate switching point ($\sim V_{DD}/2$), the skew is still around 6ns.

Figure #1 SRAM Signal Capture

The signal transitions in the scope plot of Figure #1 appear to be fairly coincidental. A closer look however, reveals the chip enable signal actually starts and reaches V_{IL} approximately 6ns before the address signal reaches V_{IH} . Even at one half V_{DD} (closer to actual logical gate switching of the inputs), the delta in signal times is still approximately 6ns.

Simultaneous switching of controls and address inputs is not recommended for a couple of reasons. The first is the previously described signal skew sensitivity between controls and/or address inputs. The second reason is that activating all the controls and address inputs simultaneously results in peak instantaneous current consumption. This condition causes maximum strain to the power decoupling. Chip Enable activates address decoding circuits, address switching introduces input buffer switching current, and output enable assertion turns on all the device output drivers. Performing all three simultaneously results in worst case transient current demand by the memory.

3.1.0 Technical Overview of Skew Sensitivity

Recall from section 2.0 that any activity requesting new data causes a read trigger. The triggers are wire-ORed together. In order to meet the faster access times demanded by today's applications, the ORed trigger only exists during the first 4-5ns of the read cycle. Since the slowest of the address transitions occurs more than 5ns after the initiation of the read activity, a second read activity is initiated. The sensing circuit does not have time to normalize before the second read activity has started. For this reason a Chip Enable-Controlled read cycle requires that address inputs remain stable for the entire cycle. Infrequent and random sensing errors can result if the bit columns are continually pulled to one state then quickly requested to sense the opposite state. Another effect of the low power read architecture that differs from previous generation designs (those that continually sense for data) is that the bit line will not be sensed again until another read triggering event occurs. If another read trigger event (chip enable assertion and/or address change) does not occur for a particular address, the incorrect data remains at the outputs.

4.0 Summary and Conclusion

The Aeroflex SRAMs in Table #1 all employ a low power consumption read architecture. Power is conserved by sensing data only when new data is requested. A request occurs anytime chip enable is asserted or any address input signal transitions while chip enable is asserted. The data sheets for the SRAMs listed in Table #1 do not explicitly define the case of simultaneous switching of address and control signals during read operations. Data sheet read cycle descriptions indicate that control inputs are established prior to address changes, and address inputs are stable prior to control assertions. Simultaneous switching of addresses and controls is tolerable, when the skew between all input signals is $< 4\text{ns}$. For designs that must employ the simultaneous activation of address and control signals, two important issues should be considered by the designer. The first is the input signal skew sensitivity of the low power read architecture discussed by this application note. The second is the instantaneous current consumption that results from simultaneous access methods. Aeroflex recommends the use of only one read access method at a time. If multiple read accesses (simultaneous chip enable assertion and address switching) cannot be avoided, then Aeroflex recommends that the chip enable signal be delayed until all addresses have completed transitions.