

DC-DC Converters

Input Regulator Module (IRM) Series

Datasheet

Cobham.com/HiRelMarch 13th, 2017

The most important thing we build is trust

FEATURES

- ❑ Voltage Range
 - V_{IN} : 28V_{DC} or 70V_{DC} or 100V_{DC}
 - V_{OUT} : 26V_{DC} to 48.00V_{DC}
- ❑ High Efficiency (>90%)
- ❑ Up to 100W output
- ❑ Provide Enable/Disable Control
- ❑ Adaptive Loop Feedback
- ❑ Zero Voltage Switching / Zero Current Switching (ZVS/ZCS) Boost-Buck Regulator
- ❑ Contains Built-in Protection Features
 - Input Over/Under-voltage Shutdown
 - Short Circuit Protection
- ❑ Package: Gull Winged Power Package
- ❑ MIL-PRF-38534 Class L Qualification Pending

OPERATIONAL ENVIRONMENT

- ❑ Temperature Range: -40°C to +85°C (Lead Temperature)
- ❑ Total Dose: 50 krad(Si)
- ❑ SEL Immune: >80 MeV-cm²/mg

APPLICATIONS

- ❑ Power conversion applications for standard power systems
- ❑ Modularity for low NRE and flexibility
- ❑ Small size for centralized or distributed power conversion architectures

INTRODUCTION

The Cobham Plainview IRM Regulator is a very efficient non-isolated regulator capable of both boost and bucking a wide range input voltage and providing a regulated, adjustable output voltage.

The IRM can be used stand-alone as non-isolated voltage regulator with high efficiency and high power density, or it can be used in tandem with Cobham's isolated Point Of Load (iPOL). In combination, IRMs and iPOLs form a complete DC-DC converter subsystem offering: high density and efficiency; low noise operation; architectural flexibility; extremely fast transient response; and elimination of bulk capacitance at the Point of Load.

APPLICATION EXAMPLES

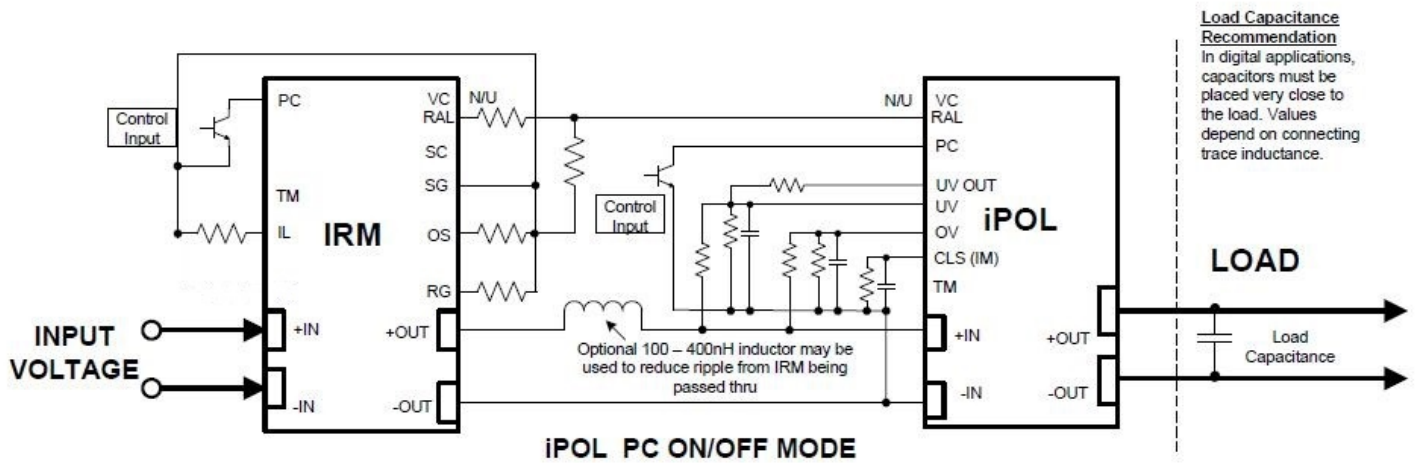
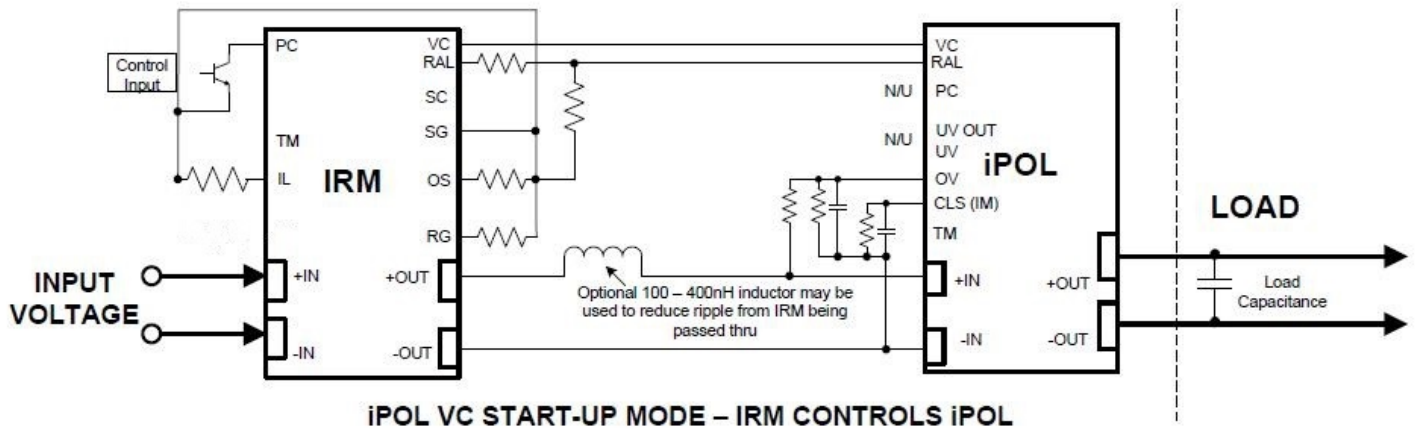


Figure 1: Typical Applications;
613xxx Modules Use VC Start-Up Mode;
612xxx Modules use either PC On/Off Mode or Self Start Mode (PC Pin Float, No connect VC Pin)

DETAILED BLOCK DIAGRAM

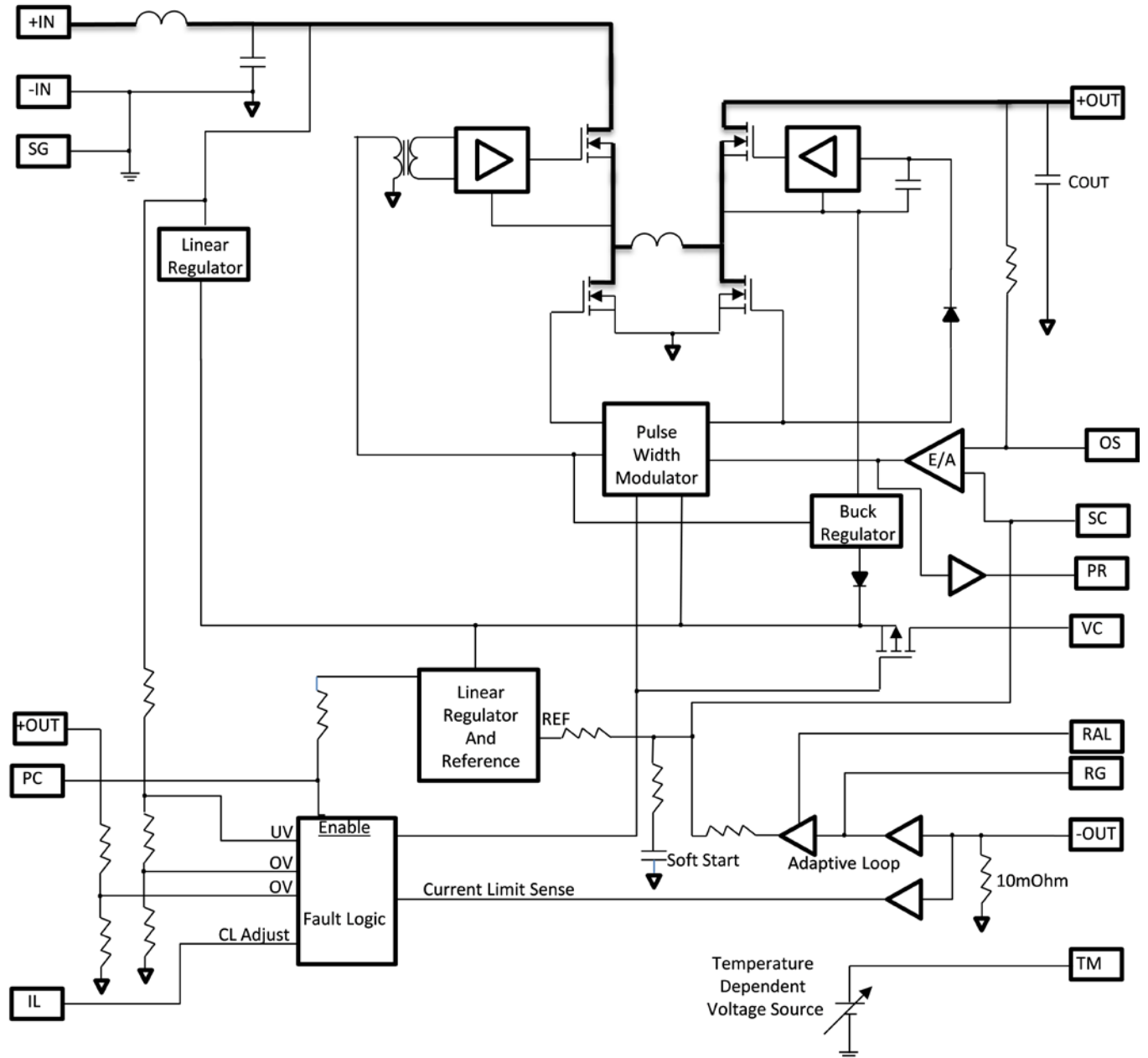


Figure 2: Detailed Block Diagram

PINLIST

Table 1: Pinlist

PIN NO.	SIGNAL	PIN NO.	SIGNAL
1	-VOUT	40	SG
2	-VOUT	39	SC
3	-VOUT	38	RAL
4	-VOUT	37	IL
5	-VOUT	36	RG
6	-VOUT	35	OS
7	+VOUT	34	PR
8	+VOUT	33	PC ²
9	+VOUT	32	VC
10	+VOUT	31	TM
11	+VOUT	30	NOT USED ²
12	+VOUT	29	GND (-VIN)
13	+VOUT	28	GND (-VIN)
14	+VOUT	27	GND (-VIN)
15	+VOUT	26	GND (-VIN)
16	+VOUT	25	+VIN ¹
17	GND (-VIN)	24	+VIN
18	GND (-VIN)	23	+V N
19	GND (-VIN)	22	+VIN
20	GND (-VIN)	21	+VIN

Note 1: Pin 25 not populated for 621070 and 621100 Modules

Note 2: For 621028 Pin 30 provides low off state input current when grounded. Pin 33 must also be grounded to achieve this capability. (Sleep Mode Control)

PACKAGE PINOUT DIAGRAM

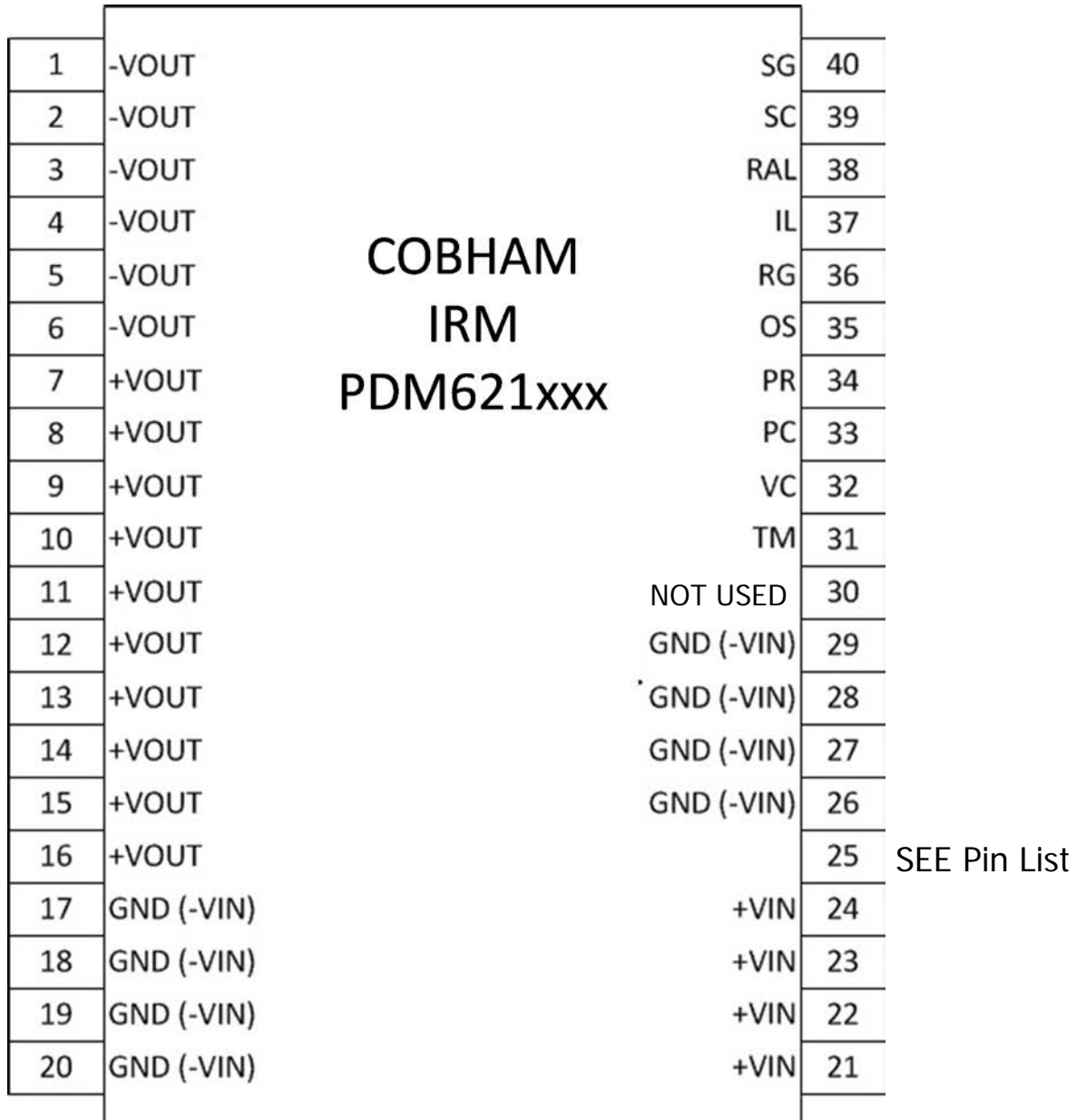


Figure 3: Package Pinout Diagram for 621xxx IRMs

FUNCTIONAL DESCRIPTION

+VIN / -VIN VOLTAGE

The IRM's maximum input voltage should not be exceeded. IRMs have internal over / under-voltage lockout functions that prevent operation outside of the specified input range. IRMs will turn on when the input voltage rises above its under-voltage lockout. If the input voltage exceeds the overvoltage lockout, IRMs will shut down until the overvoltage fault clears. PC will switch Low indicating an out of bounds condition.

+VOUT / -VOUT FACTORIZED VOLTAGE OUTPUT

These pins provide the Factorized Bus voltage output. The -Out pin is connected internally to the -IN pin through a current sense resistor. The IRM has a maximum power and a maximum current rating and is protected if either rating is exceeded. Do not short -OUT to -IN.

PC - PRIMARY CONTROL

The IRM voltage output is enabled when the PC pin is open circuit (floating). To disable the IRM output voltage, the PC pin is pulled low. Open collector optocouplers, transistors, or relays can be used to control the PC pin. When using multiple IRMs in a high power array, the PC pins should be tied together to synchronize their turn on. During an abnormal condition the PC pin will pulse as the IRM initiates a restart cycle. This will continue until the abnormal condition is rectified. The PC should not be used as an auxiliary voltage supply, nor should it be switched at a rate greater than 1 Hz.

TM

This function provides the internal temperature of the module at 10°C typical with respect to SG. This value is typically 2V at 27°C.

SG - SIGNAL GROUND

This pin provides a low inductance Kelvin connection to -VIN and should be used as reference for the OS, RG, SC, TM, RAL and IL pins.

RAL

Provides adaptive Temperature Compensation of the iPOL module. See application note ANPDM100 for details of how to connect this pin to a single iPOL in order to provide adaptive loop temperature compensation. This Pin is internally terminated with a 15.8K ohm resistor to SG.

RG - COMPENSATION DEVICE

Adaptive Loop control is configured by connecting an external resistor between the RG and SG pins. For no adaptive compensation connect RG directly to SG. See

[SCDIRM-1](#)
[Revision A](#)

application note ANPDM100 for calculating the value of Rg.

IL - CURRENT LIMIT ADJUST

The IRM has a preset maximum current limit set point. The IL pin may be used to reduce the current limit set point to a lower value.

I Limit (Amps)	621028 ¹ R _{IL}	621070, 621100 ² R _{IL}
1.25	1.96K	3.57K
1.50	2.32K	4.32K
1.75	2.74K	5.36K
2.0	3.24K	6.65K
2.25	3.83K	8.66K
2.50	4.53K	11.5K
2.75	5.49K	16.5K
3.0	6.65K	26.1K
3.25	8.25K	54.9K
3.50	10.50K	--
3.75	14.30K	--
4.0	20.50K	--
4.25	35.70K	--
4.50	100.0K	--

Note 1: Accuracy ± 6% of full scale

Note 2: Accuracy of ± 9.2% of full scale

OS - OUTPUT SET (R_{OS})

The output voltage is set by connecting a resistor between OS and SG pins. Use the following equation for calculating the value of Ros.

$$OS\ RES = \left(\frac{102K}{VO - 1.093} \right) 1.093$$

VC – iPOL Start-Up

The IRM provides the VC pin as an output to provide start-up power to up to two iPOLs. The VC pin of the IRM should be connected to the VC pin of the iPOL. The iPOL output will rise by the proportionally with the IRM output. This Pin is internally terminated with a 1K ohm resistor to (-VIN). This pin should be left floating.

PR – Power Reference

The PR pin puts out a voltage that is proportional to the output power of the IRM. This pin is internally terminated with a 3.9K ohm resistor to SG. This pin should be left floating.

SC – IRM Reference

The SC pin is internally connected to the IRM control loop reference. This pin should be left floating.

ABSOLUTE MAXIMUM RATINGS^{1, 2}

Table 2: Absolute Maximum Ratings

SYMBOL	PARAMETER	MIN	MAX	UNITS
--	+V _{IN} to -Vin 621028	-1.0	60.0	V _{DC}
--	+V _{IN} to -Vin 621070	-1.0	125.0	V _{DC}
--	+V _{IN} to -Vin 621100	-1.0	125.0	V _{DC}
--	PC to -IN	-0.3	3.6	V _{DC}
--	IL to -IN	-0.3	3.6	V _{DC}
--	VC to -IN	-0.3	8.5	V _{DC}
--	+OUT to -OUT	-0.3	60	V _{DC}
--	SC to OUT	-0.3	3.3	V _{DC}
--	OS to -OUT	-0.3	3.3	V _{DC}
--	RG to -OUT	-0.3	3.3	V _{DC}
T _J	Junction Temperature	-40	+125	°C
θ _{JC}	Thermal resistance, junction-to-case	--	2.1	°C/W
T _{STG}	Storage Temperature	-55	+125	°C

NOTE:

1. Stresses outside the listed absolute maximum ratings may cause permanent damage to the device. This is a stress rating only and functional operation of the device at these or any other conditions beyond limits indicated in the operational sections of this specification are not recommended. Exposure to absolute maximum rating conditions for extended periods may affect device reliability and performance.
2. All voltages referenced to -IN

OPERATIONAL ENVIRONMENT⁽¹⁾

Table 3: Operational Environment

SYMBOL	PARAMETER	LIMIT	UNITS
TID	Total Ionizing Dose ⁽²⁾	50	krad(Si)
SEL	Single Event Latchup Immunity ⁽³⁾	>80	MeV-cm ² /mg

NOTE:

1. For devices with procured with a total ionizing dose tolerance guarantee, post-irradiation performance is guaranteed at 25°C per MIL-STD-883 Method 1019, Condition A up to maximum TID level procured.
2. Per MIL-STD-883, method 1019, condition A (*Optional: Per MIL-STD-883, method 1019.9, condition A, with extended room temperature anneal per section 3.11.2*)
3. SEL is performed at component level at 125°C

RECOMMENDED OPERATING CONDITIONS⁽¹⁾

Table 4: Recommended Operating Conditions

SYMBOL	PARAMETER	MIN	MAX	UNITS
T _L ⁽²⁾	Case Operating Temperature Range	-40	+85	°C
V _{IN}	Positive Supply Voltage 621028	+22	+36	V _{DC}
V _{IN}	Positive Supply Voltage 621070	+65	+75	V _{DC}
V _{IN}	Positive Supply Voltage 621100	+95	+105	V _{DC}

NOTE:

1. All voltages referenced to (-V_{IN})
2. Lead temperature of module

DC ELECTRICAL CHARACTERISTICS⁽¹⁾

Table 5: DC Electrical Characteristics⁽²⁾

SYMBOL	PARAMETER	CONDITONS	MIN	TYP	MAX	UNITS
INPUT PARAMETERS						
dV_{IN} / dt	Input		--	--	1	V / μ s
V_{IN_UVTON}	Input under-voltage turn-on		19.5	--	21.5	V_{DC}
	621028					
	621070		53.0	--	65.0	V_{DC}
V_{IN_UVTOFF}	Input under-voltage turn-off		80.7	--	90.0	V_{DC}
	621028					
	621070		54.0	--	64.0	V_{DC}
V_{IN_OVTOFF}	Input Over-voltage turn-off		80.0	--	84.0	V_{DC}
	621028					
	621070		38.0	--	45.0	V_{DC}
V_{IN_OVTON}	Input Over-voltage turn-on		76.0	--	90.0	V_{DC}
	621028					
	621070		111.0	--	116.0	V_{DC}
V_{IN_OVTOFF}	Input Over-voltage turn-off		37.0	--	43.0	V_{DC}
	621028					
	621070		71.5	--	86.0	V_{DC}
I_{IN_O}	Input Quiescent Current	PC Low, SLEEP Open	106.0	--	111.0	V_{DC}
		PC Low, SLEEP Low (621028)	--	13.0	18.0	mA
			--	--	1.6	mA
I_{IN}	Input Current 621028	V_{IN} 28V, No Load	--	--	225	mA
	621070	V_{IN} 70V, No Load	--	--	60.0	mA
	621100	V_{IN} 100V, No Load	--	--	60.0	mA
I_{IN_RIP}	Input reflected ripple current	V_{IN} 22V, 100W Load	--	360	--	mAp-p
	621028					
	621070	V_{IN} 70V, 75W Load	--	190	--	mAp-p
V_{PC}	DC Voltage	V_{IN} 100V, 75W Load	--	130	--	mAp-p
V_{PC_EN}	Module Enable Voltage		1.19	1.25	1.31	V_{DC}
	Disable Hysteresis		--	100	140	mV V_{DC}
SLEEP	SLEEP MODE Control					
	DC Voltage (621028)	SLEEP pin floating	--	14.0	20.0	V_{DC}
	DC Voltage (621070, 621100)	SLEEP pin floating	--	56	62	V_{DC}
	Source Current (621028, 621100)		--	--	1.0	mA
VOUT	Output Set Point Accuracy	Includes 0.1% tolerance of R_{OS} Resistor	--	--	1.0	%
VOUT_ AL	Adaptive Loop Accuracy ⁽³⁾	From no load to full load including 0.1% tolerance of R_G Resistor	--	--	0.3	%

NOTE 1: All voltages referenced to (- V_{IN})

NOTE 2: Specifications apply over all line and load conditions over the temperature range of $-40^{\circ}\text{C} < T_J < 125^{\circ}\text{C}$ unless otherwise noted.

NOTE 3: Calculated not measured.

Table 6: DC Electrical Characteristics^(1,2)

SYMBOL	PARAMETER	CONDITONS	MIN	TYP	MAX	UNITS
OUTPUT PARAMETERS						
V _{OUT}	Output Voltage Range	V _{OUT} set by R _{OS}	--	--	--	--
		621028, 621100	26	--	48	V _{DC}
		621070	36	40	44	V _{DC}
P _{OUT}	Output Power	621028	--	--	100	W
		621070, 621100	--	--	75	W
I _{OUT}	Output Current	621028	--	--	3.85	A _{DC}
		621070, V _O = 40V	--	--	1.88	A _{DC}
		621100	--	--	2.9	A _{DC}
I _{OUT_CL}	DC Current Limit	621028	4.3	4.8	5.3	A _{DC}
		621070, V _O = 40V	2.1	2.34	2.58	A _{DC}
		621100	3.25	3.58	4.02	A _{DC}
V _{OUT-ST}	Output Voltage Stability	With 25ppm R _{OS} with mounting pin temperature of -40°C to 85°C	--	--	±1.5	%
ΔV _O / ΔV _I	Line Regulation	Low Line to High Line	--	0.1	0.2	%
ΔV _O / ΔI _I	Load Regulation	No Load to full load with mounting pin temperature of -40°C to 85°C	--	0.1	0.2	%
η	Efficiency 621028	V _{IN} = 28V / 26V _{OUT} Full Load	92	--	--	%
		V _{IN} = 28V / 40V _{OUT} Full Load	91.5	--	--	%
	Efficiency 621070	V _{IN} = 70V / 40V _{OUT} Full Load	91.8	--	--	%
	Efficiency 621100	V _{IN} = 100V / 26V _{OUT} Full Load	88.25	--	--	%
		V _{IN} = 100V / 48V _{OUT} Full Load	90.0	--	--	%
		V _{IN} = 100V / 40V _{OUT} 40W Load	85.6	--	--	%
V _{OUT} - PP	Output Ripple Voltage 621028	Full Load 100W	--	--	6	%
	621070	Full Load 75W	--	--	3.5	%
	621100	Full Load 75W	--	--	3.5	%
F _{SW}	Switching Frequency	621028	0.73	0.80	0.87	MHz
		621070	0.50	0.55	0.60	MHz
		621100	0.60	0.65	0.70	MHz
TM	Temperature Monitor	27°C	--	2.0	--	V
	Gain		--	10	--	10mV/°C
T _{ON}	Output Turn-on					
	From application of power	PC Pin Floating	--	--	300	mSec
	From PC pin low to high	V _{IN} Pre-Applied	--	--	1200	μs
C _{LOAD}	Load Capacitance					
	1 iPOL Load	--	--	--	1.5	μF
	2 iPOL Loads	--	--	--	0.75	
	3 iPOL Loads	--	--	--	0.1	

NOTE:

1. All voltages referenced to (-V_{IN})
2. Specifications apply over all line and load conditions over the temperature range of -40°C < T_J > 125°C unless otherwise noted.

Figure 4: Typical Efficiency of 621028 vs. Output Power at 40V Out / 28V In

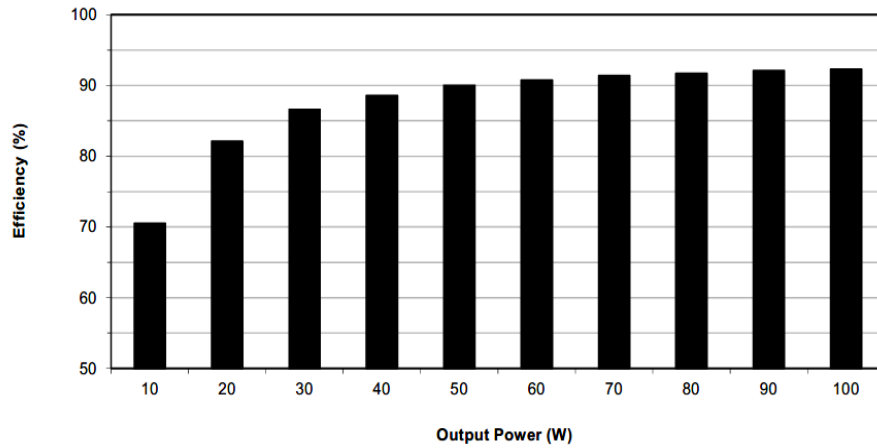


Figure 5: Typical Efficiency of 621070 vs. Output Power at 40V Out / 70V In

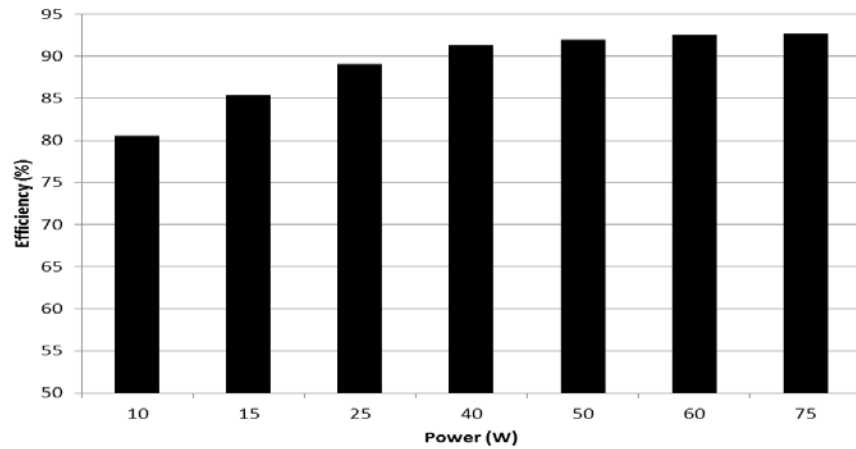
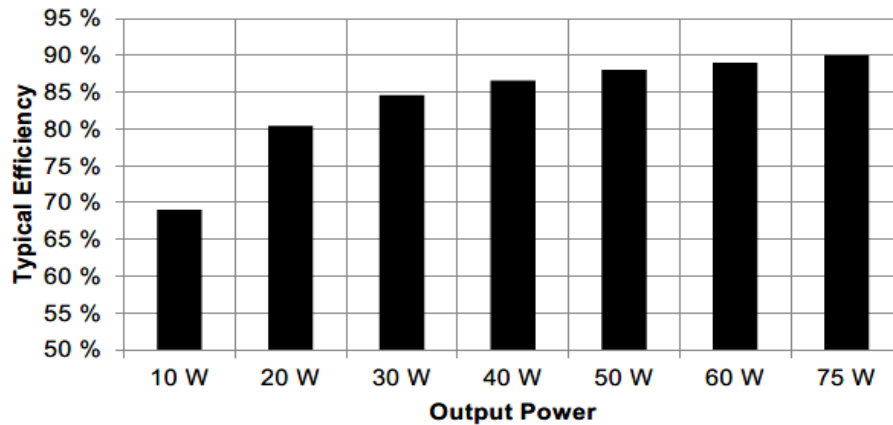
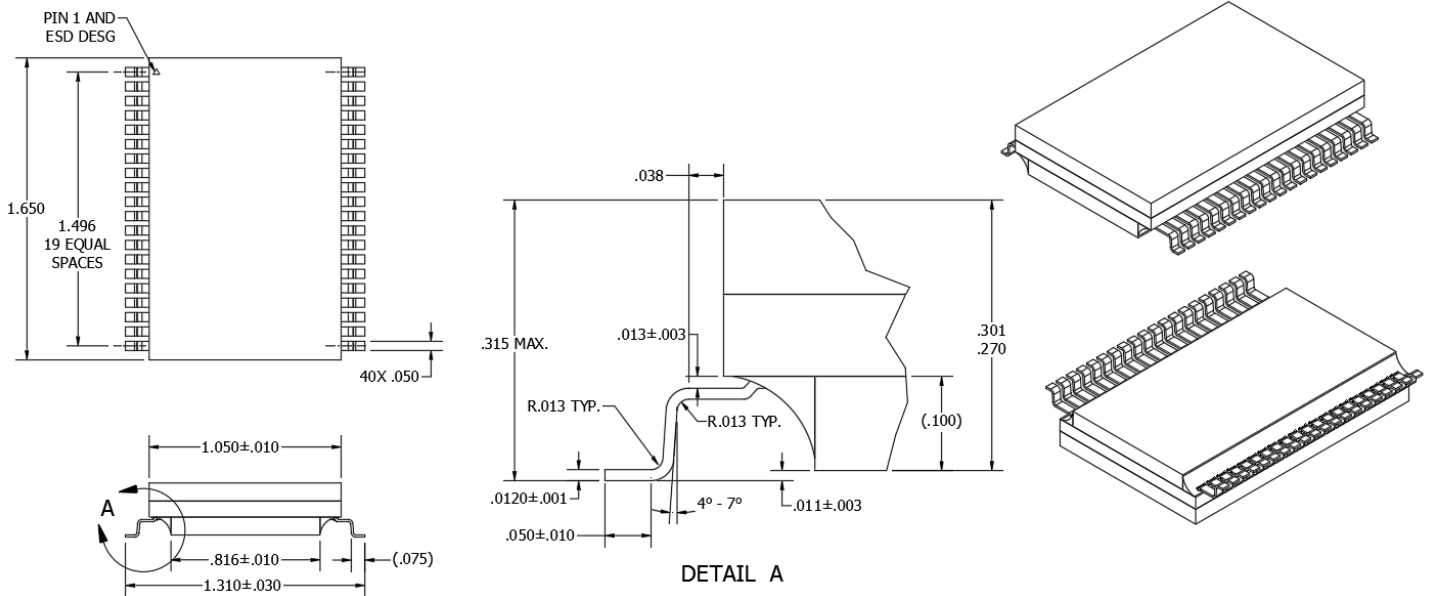


Figure 6: Typical Efficiency of 621100 vs. Output Power at 40V Out / 100V In



PACKAGE DRAWINGS



Dimensions in inches.
Tolerances $\pm .005$ unless otherwise noted.

Figure 7: Package Drawing for 621028 Modules

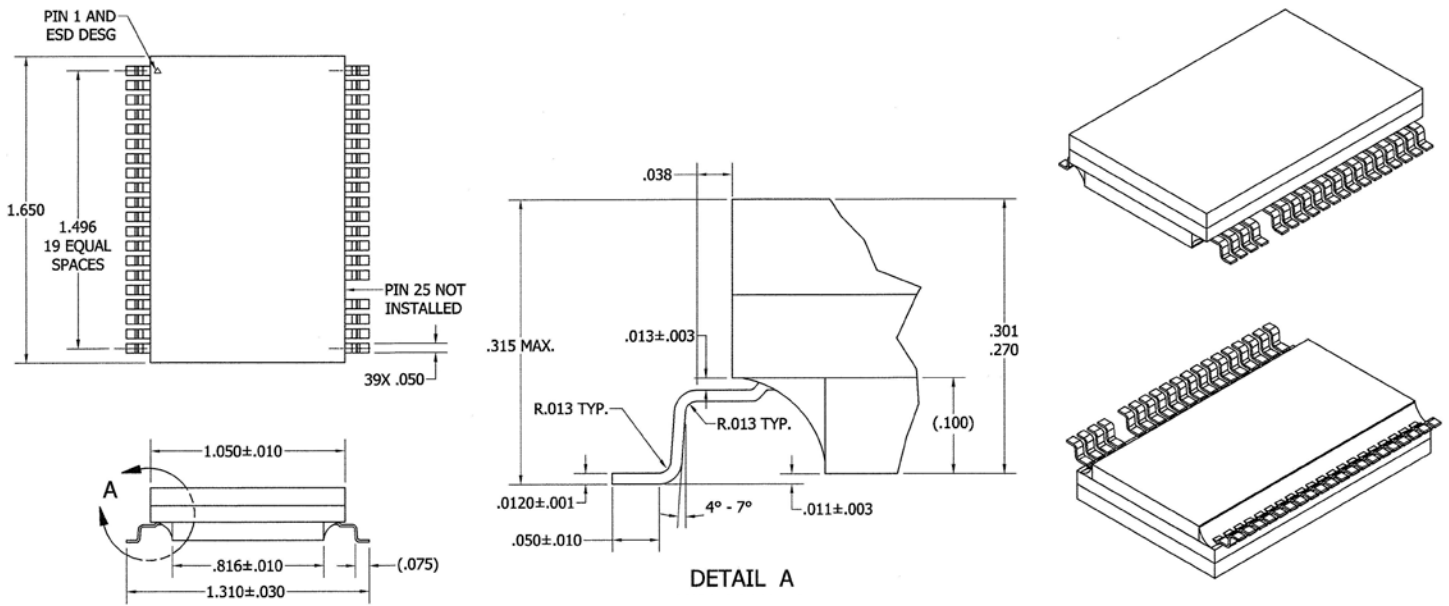
Lead Material and Plating: Lead material is Copper, UNS No. C10100 IAW ASTM-B152/B512M. Temper is H02-Half Hard. Plating is Gold Plated, 5-10 micro-inches IAW MIL-DTL-45204, Type I, Grade A, Class 1, over Electrolytic Nickel plated 200-350 micro-inches in accordance with AMS-QQ-P290, Class 1, Grade G. Final finish is Sn60/Pb40.

Table 7: Mechanical Characteristics

SYM	PARAMETER	CONDITIONS	MIN	TYP	MAX	UNIT
L	Length	-	-	-	1.655 [42.037]	in [mm]
W	Width	-	-	-	1.060 [26.924]	in [mm]
H	Height	-	-	-	0.315 [08.001]	in [mm]
Wt	Weight	-	-	-	27	g
-	Soldering tip dwell time per single pin	Tip temperature 600°F Assembly pre-heated to 125°F	-	-	6	Sec

NOTE: Product is not designed for reflow applications. Manual soldering of leads is required.

CONVERSION	
INCH	MM
0.001	0.025
0.003	0.076
0.005	0.127
0.010	0.254
0.011	0.279
0.012	0.305
0.013	0.330
0.030	0.762
0.038	0.965
0.050	1.270
0.075	1.905
0.100	2.540
0.270	6.858
0.301	7.645
0.315	8.001
0.816	20.726
1.050	26.670
1.310	33.274
1.496	37.998
1.650	41.910



Dimensions in inches.
Tolerances $\pm .005$ unless otherwise noted.

Figure 8: Package Drawing for 621070 and 621100 Modules

Lead Material and Plating: Lead material is Copper, UNS No. C10100 IAW ASTM-B152/B512M. Temper is H02-Half Hard. Plating is Gold Plated, 5-10 micro-inches IAW MIL-DTL-45204, Type I, Grade A, Class 1, over Electrolytic Nickel plated 200-350 micro-inches in accordance with AMS-QQ-P290, Class 1, Grade G. Final finish is Sn60/Pb40.

Table 8: MECHANICAL CHARACTERISTICS

SYM	PARAMETER	CONDITIONS	MIN	TYP	MAX	UNIT
L	Length	-	-	-	1.655 [42.037]	in [mm]
W	Width	-	-	-	1.060 [26.924]	in [mm]
H	Height	-	-	-	0.315 [08.001]	in [mm]
Wt	Weight	-	-	-	27	g
-	Soldering tip dwell time per single pin	Tip temperature 600°F Assembly pre-heated to 125°F	-	-	6	Sec

NOTE: Product is not designed for reflow applications. Manual soldering of leads is required.

CONVERSION	
INCH	MM
0.001	0.025
0.003	0.076
0.005	0.127
0.010	0.254
0.011	0.279
0.012	0.305
0.013	0.330
0.030	0.762
0.038	0.965
0.050	1.270
0.075	1.905
0.100	2.540
0.270	6.858
0.301	7.645
0.315	8.001
0.816	20.726
1.050	26.670
1.310	33.274
1.496	37.998
1.650	41.910

ORDERING INFORMATION

Generic Datasheet Part Numbering

PDM621xxx - *

Screening Level:

(7) = Commercial Flow, +25°C testing only
Non-destruct bond pull and internal visual inspection are performed.
Element evaluation in accordance with Aeroflex ANPDM103.

(S) = Operating Temperature Range – 40°C to +125°C.
Screened in accordance with Aeroflex ANPDM101.
Qualified in accordance with Aeroflex ANPDM102.
Element evaluation in accordance with Aeroflex ANPDM103.

DC-DC Converter, Input Regulator Module (IRM)
70V Input (621070)
28V Input (621028)
100V Input (621100)
Radiation Tolerant

REVISION HISTORY

Table 9: Revision History

Date	Rev. #	Change Description	Initials
03/13/17	A	Initial Release	CL

Cobham Semiconductor Solutions – Datasheet Definitions

Advanced Datasheet - Product In Development

Preliminary Datasheet - Shipping Prototype

Datasheet – Shipping Space Grade & Reduced Hi – Rel

The following United States (U.S.) Department of Commerce statement shall be applicable if these commodities, technology, or software are exported from the U.S.: These commodities, technology, or software were exported from the United States in accordance with the Export Administration Regulations. Diversion contrary to U.S. law is prohibited.

Cobham Semiconductor Solutions
35 S. Service Road
Plainview, NY 11803

The logo for Cobham, featuring the word "COBHAM" in a bold, italicized, white sans-serif font against a blue background.

E: info-ams@aeroflex.com
T: 800 645 8862

Aeroflex Plainview Inc., dba Cobham Semiconductor Solutions, reserves the right to make changes to any products and services described herein at any time without notice. Consult Aeroflex or an authorized sales representative to verify that the information in this data sheet is current before using this product. Aeroflex does not assume any responsibility or liability arising out of the application or use of any product or service described herein, except as expressly agreed to in writing by Aeroflex; nor does the purchase, lease, or use of a product or service from Aeroflex convey a license under any patent rights, copyrights, trademark rights, or any other of the intellectual rights of Aeroflex or of third parties.