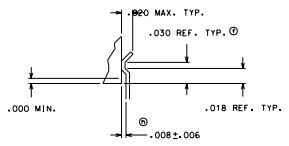
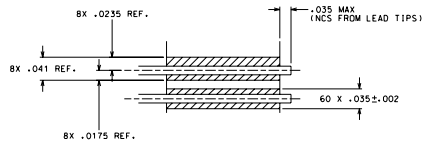
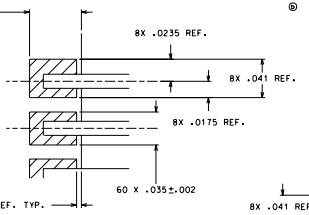
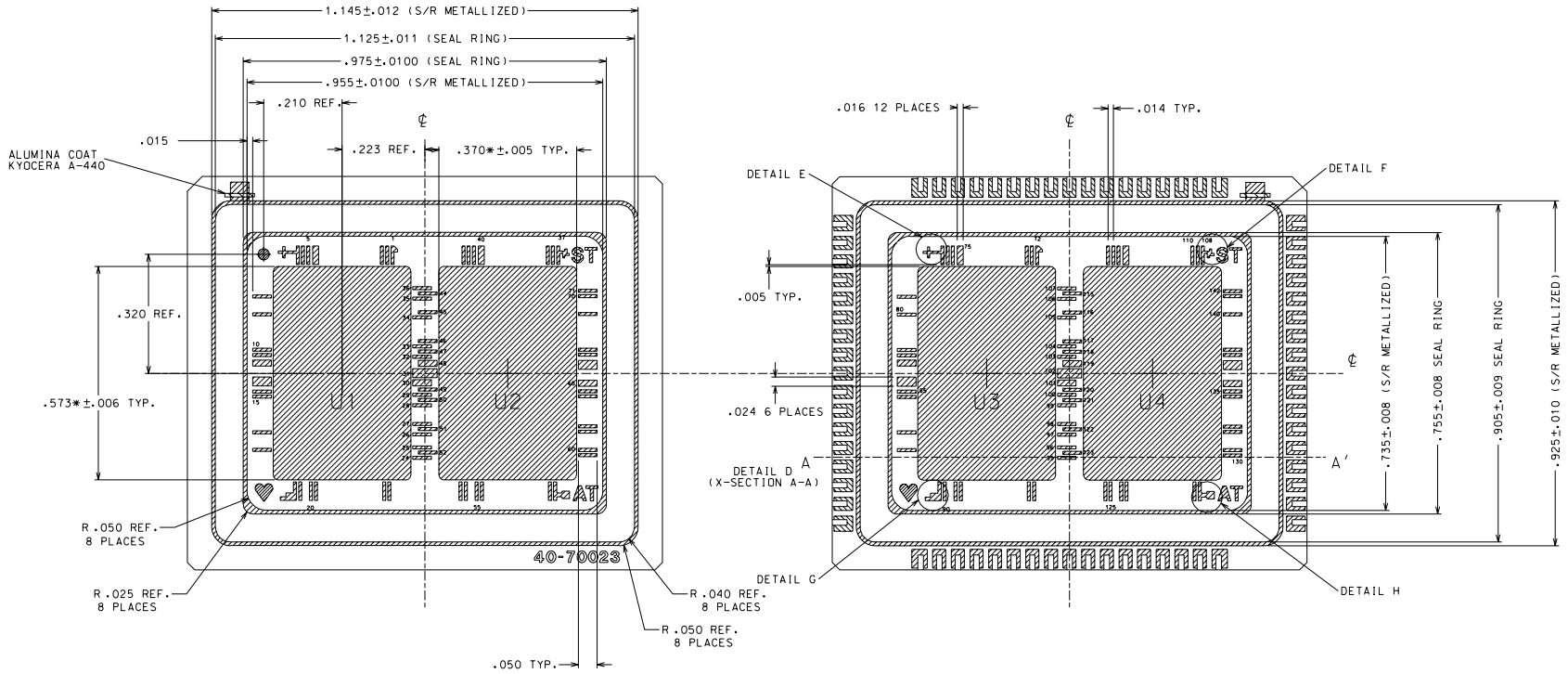


- NOTES:
1. ALL EXPOSED METAL AND METALIZED AREAS SHALL BE GOLD PLATED 100 TO 225 MICROINCHES THK. OVER NICKEL ELECTROPLATED 100 TO 350 MICROINCHES THK. MIN.
 2. THE SEAL RING AND DIE ATTACH PADS SHALL BE ELECTRICALLY CONNECTED TO VSS.
 3. FOR ALL REQUIREMENTS SEE UTM SPEC #40-7150-XX.
 4. CERAMIC SHALL BE DARK ALUMINA.
 5. BOND PAD NUMBERS ARE FOR REFERENCE ONLY.
 6. CIRCLE LETTERS ARE FOR AEROFLEX REFERENCE ONLY.
 7. * INDICATES DIMENSION OF THE TOP LAYER

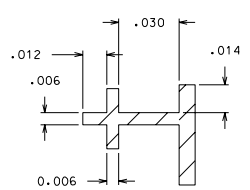


DETAIL B
SCALE 3:1

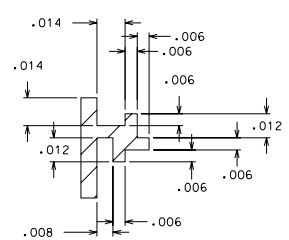
UNLESS OTHERWISE SPECIFIED: ALL DIMENSIONS ARE IN INCHES.		TITLE 68 LEAD BOTTOM BRAZED FLATPACK MCM 0.975" x 0.755" CAVITY DETAIL DRAWING	
TOLERANCES:	ANGLES = 3°	REV B	DWG./ISSUE CTRL. 40-70023-YY
2 PLACE DEC. ±		DRAWING DATE	5-DEC-03
3 PLACE DEC. ±		SCALE 1 : 1	SIZE D SHEET 1 OF 3
4 PLACE DEC. ±		±1% NLT ±0.005	



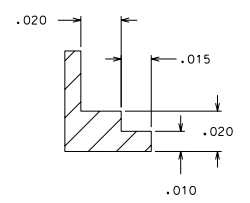
DETAIL D
A
(X-SECTION A-A)



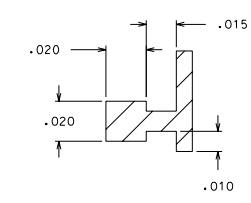
DETAIL E
SCALE 5:1



DETAIL F
SCALE 5:1



DETAIL G
SCALE 5:1



DETAIL H
SCALE 5:1

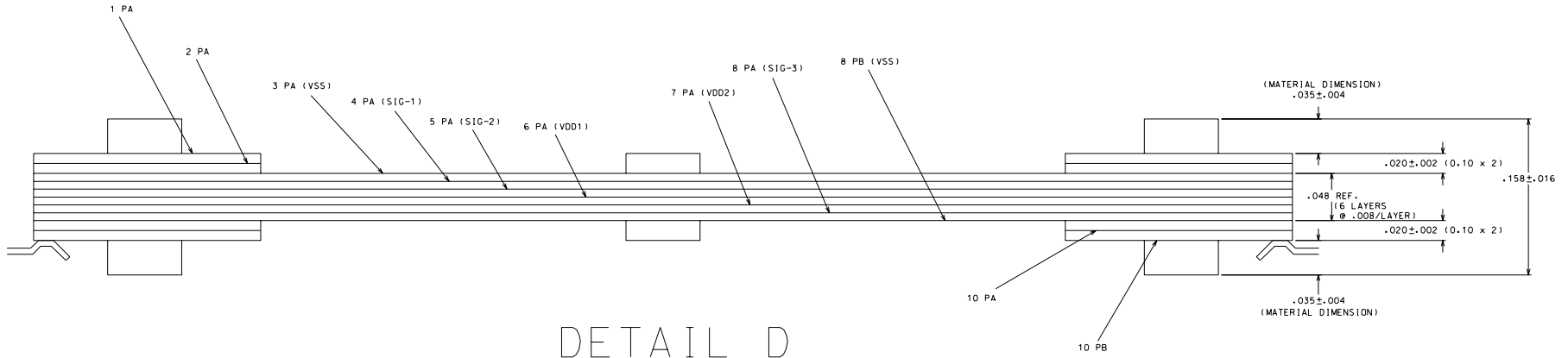
UNLESS OTHERWISE SPECIFIED: ALL DIMENSIONS ARE IN INCHES.		TITLE	
TOLERANCES:		AEROFLEX UTMCO	
ANGLES = 3°		68 LEAD BOTTOM BRAZED FLATPACK MCM	
2 PLACE DEC. ±		0.975" x 0.755" CAVITY	
3 PLACE DEC. ±		DETAIL DRAWING	
4 PLACE DEC. ±		REV B	DWG. YDCC, CTR. 40-70023-YY
±1% NLT ±0.005		DRAWING DATE	5-DEC-03
		SCALE	1 : 1 SIZE D SHEET 2 OF 3

PIN	U1	U2	U3	U4
1	28	-	-	-
2	29	-	-	-
3	32	-	-	-
4	33	-	-	-
5	10	-	-	-
6	11	-	-	-
7	14	-	-	-
8	15	-	-	-
9(VSS)	13,31	66	84,102	137
10	-	-	-	134
11	-	-	-	135
12	-	-	-	138
13	-	-	-	139
14	-	-	-	117
15	-	-	-	118
16	-	-	-	120
17	-	-	-	121

PIN	U1	U2	U3	U4
18(VDD2)	4,21	40,56	75,92	111,127
19	6	42	77	113
20	7	43	78	114
21	8	44	79	115
22	9	45	80	116
23	17	52	88	123
24	18	53	89	124
25	27	-	-	-
26	16	51	87	122
27	-	-	-	133
28	19	54	90	125
29	-	-	-	140
30	-	69	-	-
31	-	-	105	-
32	20	55	91	126
33(VDD1)	12,30	48,65	83,101	119,136
34(VSS)	13,31	66	84,102	137

PIN	U1	U2	U3	U4
35	-	-	86	-
36	-	-	85	-
37	-	-	82	-
38	-	-	81	-
39	-	-	104	-
40	-	-	103	-
41	-	-	100	-
42	-	-	99	-
43(VSS)	13,31	66	84,102	137
44	-	50	-	-
45	-	49	-	-
46	-	47	-	-
47	-	46	-	-
48	-	68	-	-
49	-	67	-	-
50	-	64	-	-
51	-	63	-	-

PIN	U1	U2	U3	U4
52(VDD2)	4,21	40,56	75,92	111,127
53	5	41	76	112
54	3	39	74	110
55	2	38	73	109
56	1	37	72	108
57	36	71	107	142
58	34	-	-	-
59	-	-	98	-
60(VSS)	13,31	66	84,102	137
61	-	62	-	-
62	35	70	106	141
63	26	61	97	132
64	25	60	96	131
65	24	59	95	130
66	23	58	94	129
67	22	57	93	128
68(VDD1)	12,30	48,65	83,101	119,136



DETAIL D
(X-SECTION A-A')

UNLESS OTHERWISE SPECIFIED: ALL DIMENSIONS ARE IN INCHES. TOLERANCES: ANGLES $\pm 3^\circ$ 2 PLACE DEC. \pm 3 PLACE DEC. \pm 4 PLACE DEC. \pm $\pm 1\%$ NLT ± 0.005		TITLE	68 LEAD BOTTOM BRAZED FLATPACK MCM 0.975" x 0.755" CAVITY DETAIL DRAWING		
		DRAWING DATE	5-DEC-03		
		REV	B	DWG. DOC. CTRL. #	40-70023-YY
		SCALE	1 : 1	SHEET	3 OF 3