

The most important thing we build is trust

Table 1: Cross Reference of Applicable Products

PRODUCT NAME	MANUFACTURER PART NUMBER	SMD #	DEVICE TYPE	INTERNAL PIC NUMBER
UT04VS33P Evaluation Board			Evaluation Board	

1.0 Overview

The UT04VS33P Evaluation Board provides user access to all features available in the Cobham Quad Voltage Supervisors. See Figure 1: UT04VS33P Evaluation Board.

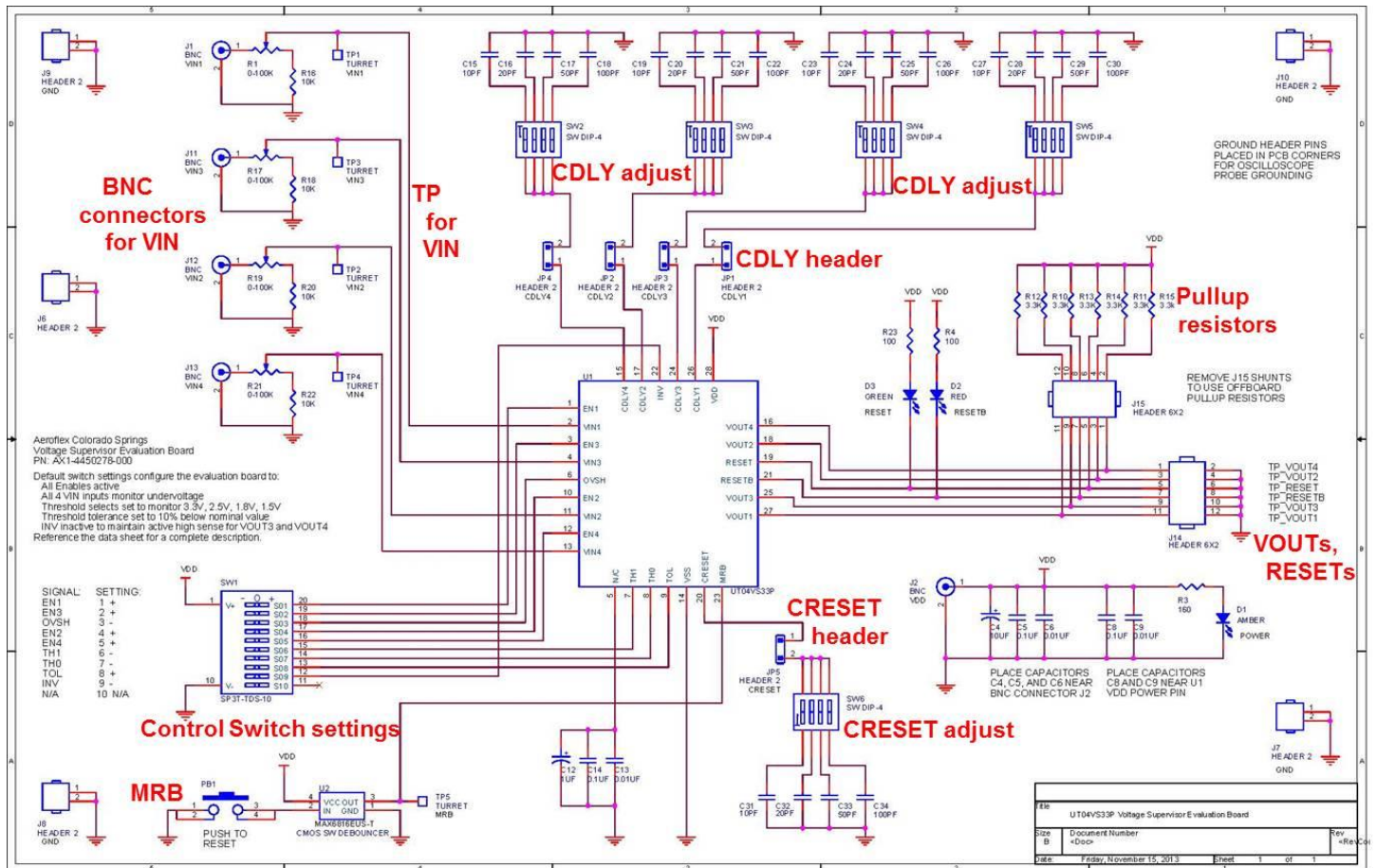


Figure 1: UT04VS33P Evaluation Board

The Evaluation Boards main features include:

- BNC connectors for VINs and VDD
- Adjustable resistor- divider boxes for VIN (0 – 100 k Ω adjustable vs 10 k Ω fixed)
- Test points to access each VIN at the UT04VS33P inputs
- Toggle boxes with rocker switches and header shunts to add and adjust capacitance for CDLYs and CRESET
- Header block with access to VOUTs and RESET / RESETB
- On-board pull-up resistors with shunts to add / remove VOUT pull-ups
- DIP switch box for control pin settings: EN1 – 4, OVSH, TH1 / TH0, TOL, INV
- Ground pin headers placed in all four corners of the board

The Evaluation Board includes a Voltage Supply Box, as shown in [Figure 2: UT04VS33P Evaluation Board with Voltage Supply Box](#). The Voltage Supply Box is an easy, single source for the VDD and VIN supplies required to evaluate the UT04VS33P.

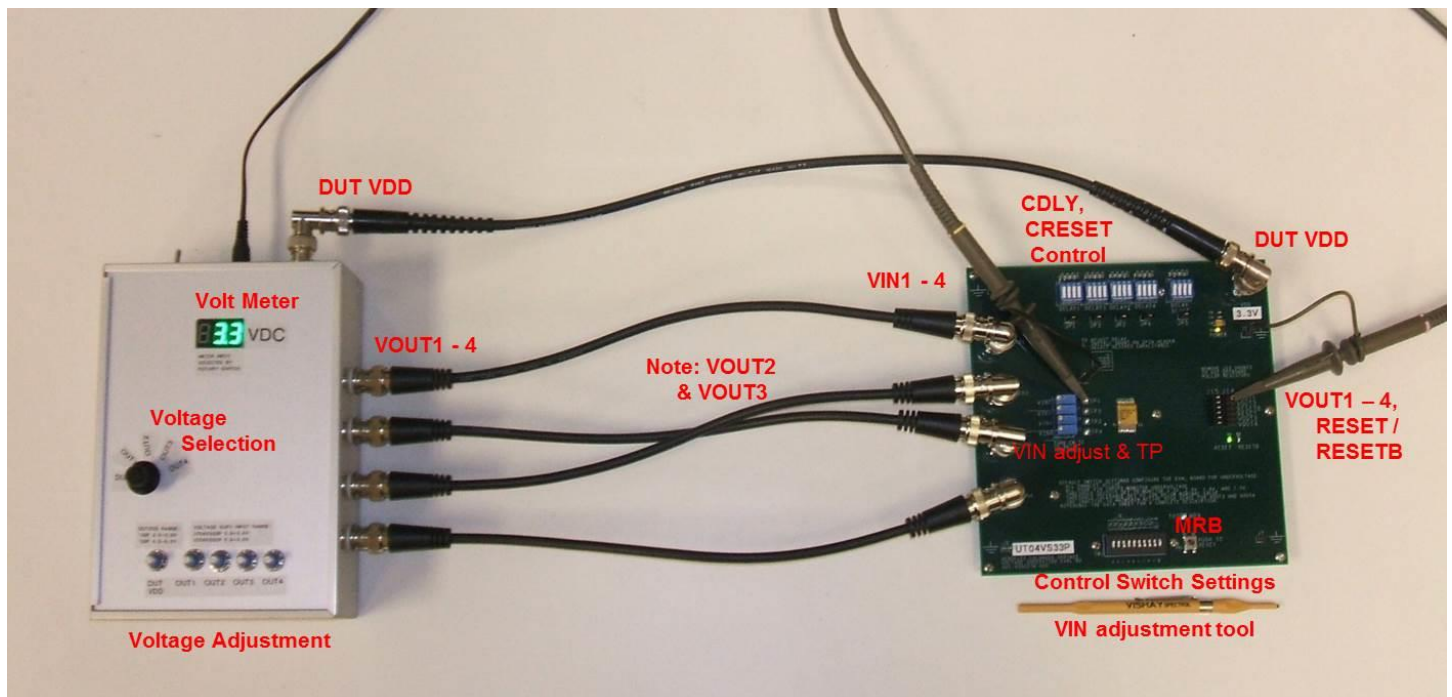


Figure 2: UT04VS33P Evaluation Board with Voltage Supply Box

The user is also encouraged to visit the Cobham website for data sheets and further information on the UT04VS33P and UT04VS50P Quad Voltage Supervisors functional behavior.

www.cobham.com/HiRel/

2.0 Notes

The use of the UT04VS33P Evaluation Board and Voltage Supply Box is straightforward. The user should:

- Plug in the power supply to the Voltage Supply Box
- Use the rotating switch and adjustment controls to adjust DUT VDD and OUT1 - 4 voltages in the Voltage Supply Box before attaching BNC connectors
- Prior to initial use, verify the DUT and OUT1-4 voltage settings with a multi-meter
- Disconnect the power supply from the Voltage Supply box
- Attach the BNC connectors from the DUT and OUT1 – 4 outputs on the Voltage Supply Box to the appropriate VDD and VIN inputs on the Evaluation Board
- Note that the OUT2 and OUT3 cables from the Voltage Supply Box switch to attach to the VIN3 and VIN2 connectors on the Evaluation Board
- Adjust the control signals in the DIP Switch box to the user desired settings
- Adjust capacitance values for CDLYs and CRESET by toggling the switches and adding / removing Header pins
- Adjust the VIN Resistor Divider boxes for an initial setting. Turning the adjustment clockwise reduces the divisive resistance and raises the threshold
- Attach meters and scope probes to monitor the critical VIN, VOUT and RESET signals
- Attach the power supply to the Voltage Supply Box
- Use the VIN resistor divider boxes and DIP Control Pin settings to adjust and evaluate the functional behavior of the Quad Voltage Supervisor

REVISION HISTORY

Date	Rev. #	Author	Change Description
12/15/2016	1.0.0	rbl	Initial Release

Cobham Semiconductor Solutions

This product is controlled for export under the U.S. Department of Commerce (DoC). A license may be required prior to the export of this product from the United States.

Cobham Semiconductor Solutions
4350 Centennial Blvd
Colorado Springs, CO 80907

COBHAM

E: info-ams@aeroflex.com
T: 800 645 8862

Aeroflex Colorado Springs Inc., DBA Cobham Semiconductor Solutions, reserves the right to make changes to any products and services described herein at any time without notice. Consult Aeroflex or an authorized sales representative to verify that the information in this data sheet is current before using this product. Aeroflex does not assume any responsibility or liability arising out of the application or use of any product or service described herein, except as expressly agreed to in writing by Aeroflex; nor does the purchase, lease, or use of a product or service from Aeroflex convey a license under any patent rights, copyrights, trademark rights, or any other of the intellectual rights of Aeroflex or of third parties.