

VRG8651/VRG8652

Low Drop Out(LDO)Adjustable Voltage Regulators


Positive and Negative Radiation Tolerant

www.aeroflex.com/voltreg

October 24, 2008



FEATURES

- Manufactured using  Linear Technology Corporation® Space Qualified RH1086 and RH1185 die
- Radiation performance
 - Total dose \geq 100 krad (Si)
- Two-Independent voltage regulators
- Thermal shutdown
- Adjustable Output Voltages
- **Positive** regulator features (RH1086)
 - Output voltage adjustable: 1.25V to 23V
 - Dropout voltage: 1.55 at 1.0Amps
 - 3-Terminal
 - Output current: 1.0A, See note 13
 - Voltage reference: 1.25V +2%, -3.2%
 - Load regulation: 0.4% max
 - Line regulation: 0.25% max
 - Ripple rejection: >60dB
- **Packaging** – Hermetic metal
 - Thru-hole or Surface mount
 - 8 Leads, .75" x .42" x .200"
 - Power package
 - Weight - 6 gm max
- **Negative** regulator features (RH1185)
 - Output voltage adjustable: -2.37V to -25V
 - Dropout voltage: -1.55V at 3Amps
 - 5-Terminal
 - Output current: 3A
 - Voltage reference: -2.370V \pm 3%
 - Load regulation: 0.9% max
 - Line regulation: 0.04% max
 - Ripple rejection: >60dB
- Designed for aerospace and high reliability space applications
- DSCC SMD: 5962-09201 Pending

NOTE: Aeroflex Plainview does not currently have a DSCC certified Radiation Hardened Assurance Program


DESCRIPTION

The Aeroflex Plainview VRG8651/8652 consists of one Positive Adjustable (RH1086) and one Negative Adjustable (RH1185) LDO voltage regulator capable of supplying 1.0Amps (RH1086)/3Amps (RH1185) respectively over the output voltage range as defined under recommended operating conditions. The VRG8651/8652 offers excellent line and load regulation specifications and ripple rejection. There is full electrical isolation between the regulators and each regulator to the package.

The VRG8651/8652 serves a wide variety of applications including SCSI-2 Active Terminator, High Efficiency Linear Regulators, Post Regulators for Switching Supplies, Constant Current Regulators, Battery Chargers and Microprocessor Supply.

The VRG8651/8652 has been specifically designed to meet exposure to radiation environments. The VRG8651 is configured for a Thru-Hole 8 lead metal power package and the VRG8652 is configured for a Surface Mount 8 lead metal power package. It is guaranteed operational from -55°C to +125°C. Available screened to MIL-STD-883, the VRG8651/8652 is ideal for demanding military and space applications.

Dropout ($V_{IN} - V_{OUT}$) decreases at lower load currents for both regulators.

For detailed performance characteristic curves, applications information and typical applications see the latest  Linear Technology Corporation® data sheets for their RH/LT1086 and RH/LT1185, which is available on-line at www.linear.com.

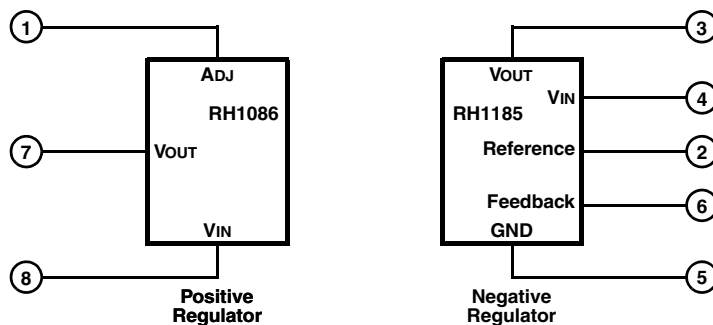


FIGURE 1 – BLOCK DIAGRAM / SCHEMATIC

ABSOLUTE MAXIMUM RATINGS

PARAMETER	RANGE		UNITS
	RH1086	RH1185	
Input Voltage	25+VREF	-35	VDC
Lead temperature (soldering 10 Sec)	300		°C
Input Output Differential	25	-30	VDC
Feedback & Reference Voltage	-	-7	VDC
Output Voltage	+25	-30	VDC
ESD ^{1/}	2000		V
Operating Junction Temperature Range	-55 to +150		°C
Storage Temperature Range	-65 to +150		°C

NOTICE: Stresses above those listed under "Absolute Maximums Rating" may cause permanent damage to the device. These are stress rating only; functional operation beyond the "Operation Conditions" is not recommended and extended exposure beyond the "Operation Conditions" may effect device reliability.

RECOMMENDED OPERATING CONDITIONS

PARAMETER	RANGE		UNITS
	RH1086	RH1185	
Output Voltage Range	1.275 to 23	-2.44 to -25	VDC
Input Output Differential ^{3/}	1.5 to 25	-1 to -28	VDC
Case Operating Temperature Range	-55 to +125		°C
Thermal Resistance, Junction to case θ_{jc}	5		°C/W

ELECTRICAL PERFORMANCE CHARACTERISTICS ^{2/}

PARAMETER	SYM	CONDITIONS (P ≤ P _{MAX})	MIN	MAX	UNITS
RH1086 Positive LDO section only					
Reference Voltage ^{3/}	VREF	1.5V ≤ VIN - VOUT ≤ 15V, ILOAD = 10mA	1.210	1.275	V
Line Regulation ^{3/}	$\frac{\Delta V_{OUT}}{\Delta V_{IN}}$	ILOAD = 10mA, 1.5V ≤ VIN - VOUT ≤ 15V	-	0.25	%
Load Regulation ^{3/}	$\frac{\Delta V_{OUT}}{\Delta I_{OUT}}$	10mA ≤ IOUT ≤ 1.0A, (VIN - VOUT) = 3V	-	0.4	%
Dropout Voltage ^{4/}	VDROP	ΔVREF = 1%, IOUT = 1.0A	-	1.55	V
Adjust Pin Current	-		-	120	μA
Adjust Pin Current Change	-	10 mA ≤ IOUT ≤ 1.0A, 1.5V ≤ VIN - VOUT ≤ 15V	-	5	μA
Current Limit	IMAX	VIN - VOUT = 5V VIN - VOUT ≤ 25V	1.0 0.047	- -	A A
Minimum Load Current ^{5/}	IMIN	VIN - VOUT = 25V	-	10	mA
Ripple Rejection ^{3/}	-	IOUT = 1.0A, (VIN - VOUT) = 3V, f = 120Hz, CADJ = COUT = 25μF	60	-	dB
Thermal Regulation		30ms pulse, TC = +25°C	-	0.04	%/W
VREF Long-Term Stability ^{5/}		Burn In: TC = +125°C @ 1000hrs minimum, tested @ 25°C	-	0.3	%

ELECTRICAL PERFORMANCE CHARACTERISTICS 2/ (con't)

PARAMETER	SYM	CONDITIONS (P ≤ P _{MAX})	MIN	MAX	UNITS
RH1185 Negative LDO section only <u>1/</u>, <u>9/</u>					
Reference Voltage (At pin 6) <u>9/</u>	V _{REF}	1mA ≤ I _{OUT} ≤ 3A, V _{IN} - V _{OUT} = -1.2V to -28V, V _{OUT} = -5V	-2.30	-2.44	V
Dropout Voltage <u>6/</u>	V _{DROP}	I _{OUT} = 0.5A, V _{OUT} = -5V	-	-0.47	V
		I _{OUT} = 3A, V _{OUT} = -5V	-	-1.30	V
Line Regulation <u>10/</u>	$\frac{\Delta V_{OUT}}{\Delta V_{IN}}$	1.0V ≤ V _{IN} - V _{OUT} ≤ 20V, V _{OUT} = -5V	-	0.04	%/V
Load Regulation <u>10/</u>	$\frac{\Delta V_{OUT}}{\Delta I_{OUT}}$	5mA ≤ I _{OUT} ≤ 3A, V _{IN} - V _{OUT} = -1.5V to -10V, V _{OUT} = -5V	-	0.9	%
Minimum Input Voltage <u>7/</u>	V _{IN MIN}	I _{OUT} = 3A, V _{OUT} = V _{REF}		-5.0	V
Internal Current Limit (See Graph for Guaranteed Curve - See Figure 6)	I _{CL}	-1.5V ≤ V _{IN} - V _{OUT} ≤ -10V	3.1	4.6	A
		V _{IN} - V _{OUT} = -15V	2.0	4.4	A
		V _{IN} - V _{OUT} = -20V	1.0	2.8	A
		V _{IN} - V _{OUT} = -30V <u>5/</u>	0.2	1.3	A
External Current Limit	I _{LIM}	R _{LIM} = 5KΩ <u>12/</u>	2.5	3.65	A
		R _{LIM} = 15KΩ <u>12/</u>	.8	1.5	A
Quiescent Supply Current <u>8/</u>	I _Q	I _{OUT} = 5mA, V _{OUT} = V _{REF} , -4V ≤ V _{IN} ≤ -25V	-	3.5	mA
Supply Current Change with Load	I _{QA}	V _{IN} - V _{OUT} = V _{SAT} <u>11/</u>	-	59	mA/A
		V _{IN} - V _{OUT} ≥ -2V	-	36	mA/A
Ripple Rejection <u>3/</u>	-	I _{OUT} = 1.0A, (V _{IN} - V _{OUT}) = 3V, f = 120Hz,	60	-	dB
Thermal Regulation (See application info LT1185) <u>5/</u>	-	V _{IN} - V _{OUT} = -10V, I _{OUT} = 5mA to 2A, T _C = +25°C	-	0.014	%/W

Notes

1. Meets ESD testing per MIL-STD-883, method 3015, Class 2.
2. Unless otherwise specified, these specifications apply for post radiation and -55°C ≤ T_c ≤ +125°C.
3. Line and load regulation are guaranteed up to the maximum power dissipation of 15W. Power dissipation is determined by the input/output differential voltage and the output current. Guaranteed maximum power dissipation will not be available over the full input/output voltage range.
4. Dropout voltage is specified over the full output current range of the device. Test points and limits are shown on the Dropout Voltage curves, see Figure 3.
5. Not tested. Shall be guaranteed by design, characterization, or correlation to other tested parameters.
6. Dropout voltage is tested by reducing input voltage until the output drops 1% below its nominal value. Tests are done at 0.5A and 3A. The power transistor looks basically like a pure resistance in this range so that minimum differential at any intermediate current can be calculated by interpolation; V_{DROPOUT} = 0.25V + (0.25Ω × I_{OUT}). For load current less than 0.5A, see Figure 4.
7. "Minimum input voltage" is limited by base emitter voltage drive of the power transistor section, not saturation as measured in Note 3. For output voltages below 4V, "minimum input voltage" specification may limit dropout voltage before transistor saturation limitation.
8. Supply current is measured on the ground pin, and does not include load current, R_{LIM}, or output divider current.
9. The 25W power level is guaranteed for an input-output voltage of 8.3V to 17V. At lower voltages the 3A limit applies, and at higher voltages the internal power limiting may restrict regulator power below 25W.
10. Line and load regulation are measured on a pulse basis with a pulse width of 2ms, to minimize heating. DC regulation will be affected by thermal regulation and temperature coefficient of the reference.
11. V_{SAT} is the maximum specified dropout voltage; 0.25V + (0.25Ω × I_{OUT}).
12. Current limit is programmed with a resistor from REF pin to GND pin. R_{LIM} = 15KΩ/I_{LIM}.
13. For compliance with 883 revision C current density specification, the RH1086MK is derated to 1 Amp but is capable of 1.5 Amps

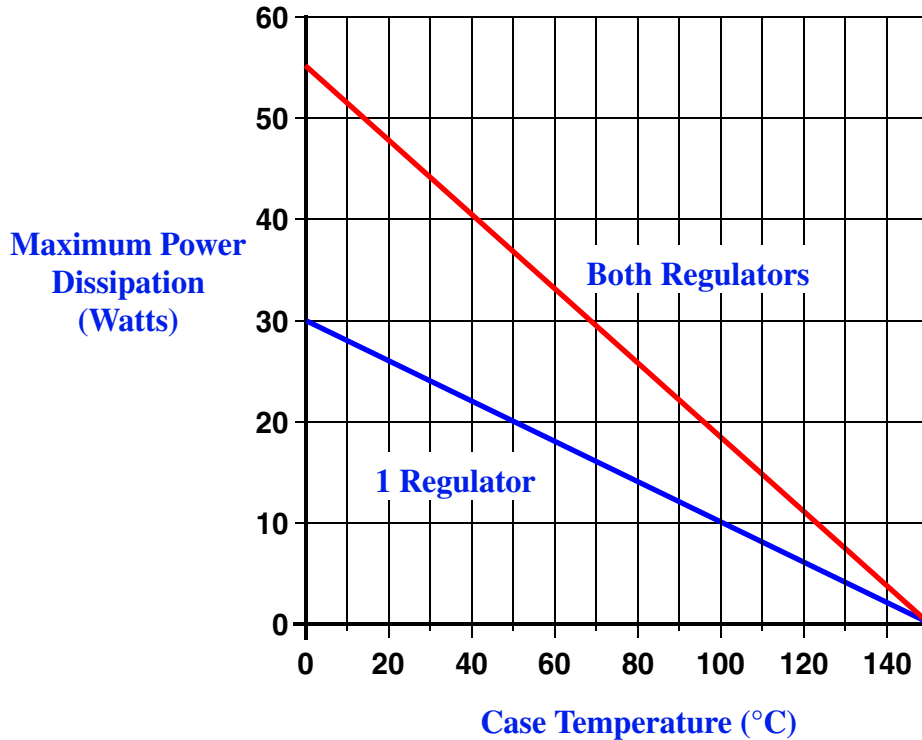


FIGURE 2 – MAXIMUM POWER vs CASE TEMPERATURE

The maximum Power dissipation is limited by the thermal shutdown function of each regulator chip in the VRG8651/8652. The graph above represents the achievable power before the chip shuts down. The first line in the graph represents the maximum power dissipation of the VRG8651/8652 with one regulator on (the other off) and the other line represents both regulators on dissipating equal power. If both regulators are on and one regulator is dissipating more power than the other, the maximum power dissipation of the VRG8651/8652 will fall between the two lines. This graph is based on the maximum junction temperature of 150°C and a thermal resistance (Θ_{JC}) of 5°C/W.

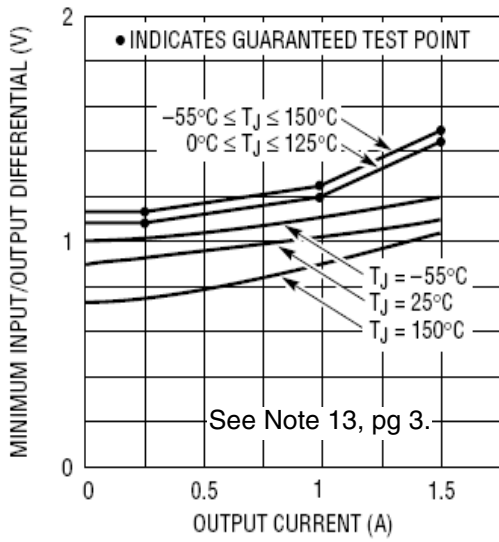


FIGURE 3 – RH1086 DROPOUT VOLTAGE CURVE

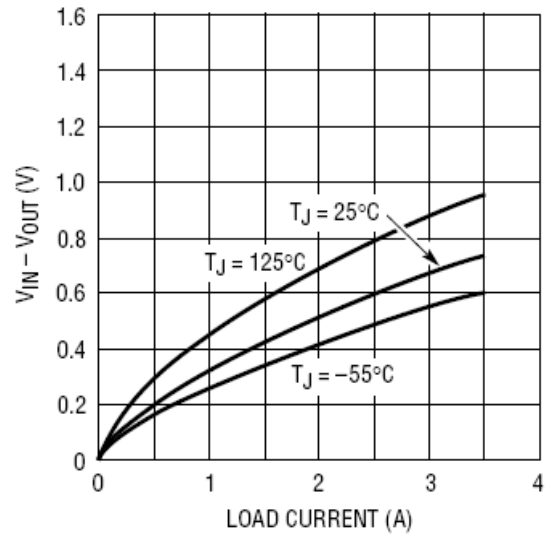


FIGURE 4 – RH1185 DROPOUT VOLTAGE CURVE

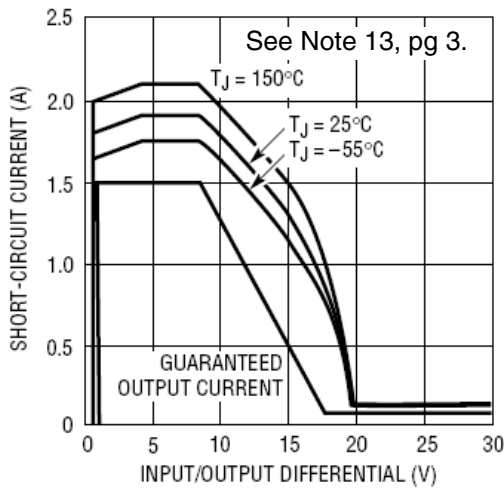


FIGURE 5 – RH1086 SHORT CIRCUIT CURRENT

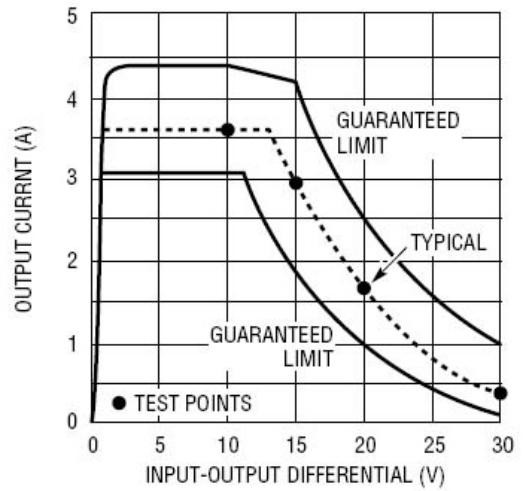


FIGURE 6 – RH1185 INTERNAL CURRENT LIMIT

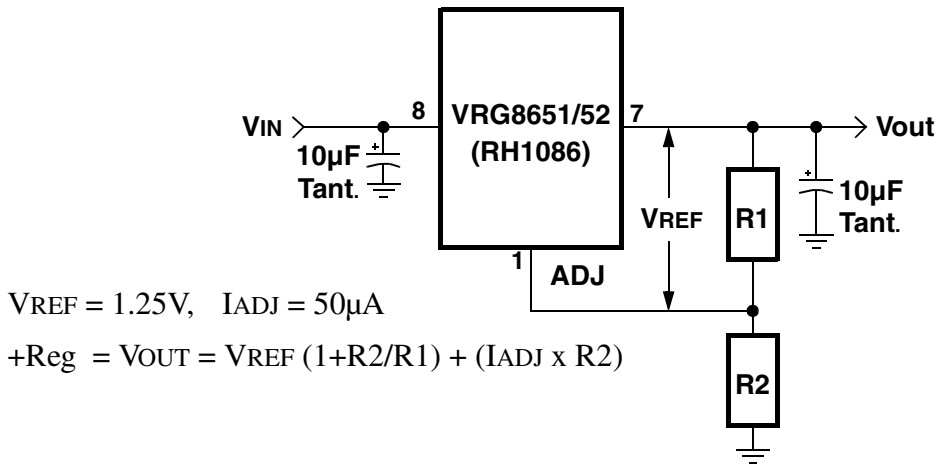


FIGURE 7 – BASIC RH1086 ADJUSTABLE REGULATOR APPLICATION

The RH1185 output voltage is set by two external resistors. Internal reference voltage is trimmed to 2.37V so that a standard 1% 2.37k resistor (R1) can be used to set divider current at 1mA. R2 is then selected from:

$$R2 = \frac{(V_{OUT} - 2.37) R1}{V_{REF}}$$

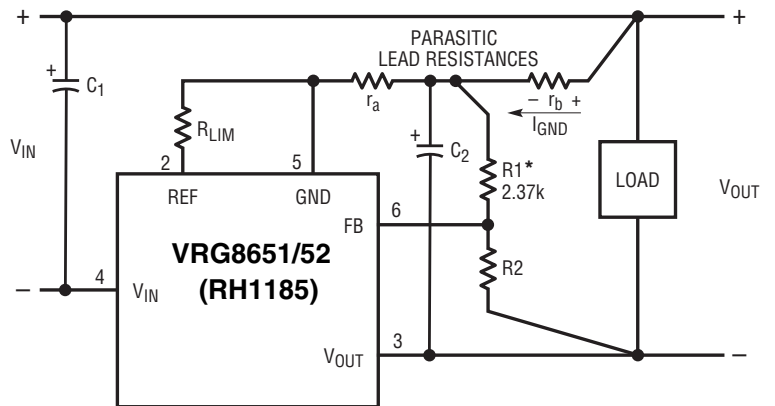
for R1 = 2.37k and VREF = 2.37V, this reduces to:

$$R2 = \frac{V_{OUT} - 2.37}{10^{-3}}$$

suggested values of 1% resistors are shown.

V _{out}	R2 WHEN R1 = 2.37k
2.5V	130Ω
3.3V	930Ω
5V	2.67k
12V	9.76k
15V	12.7k

SETTING OUTPUT VOLTAGE



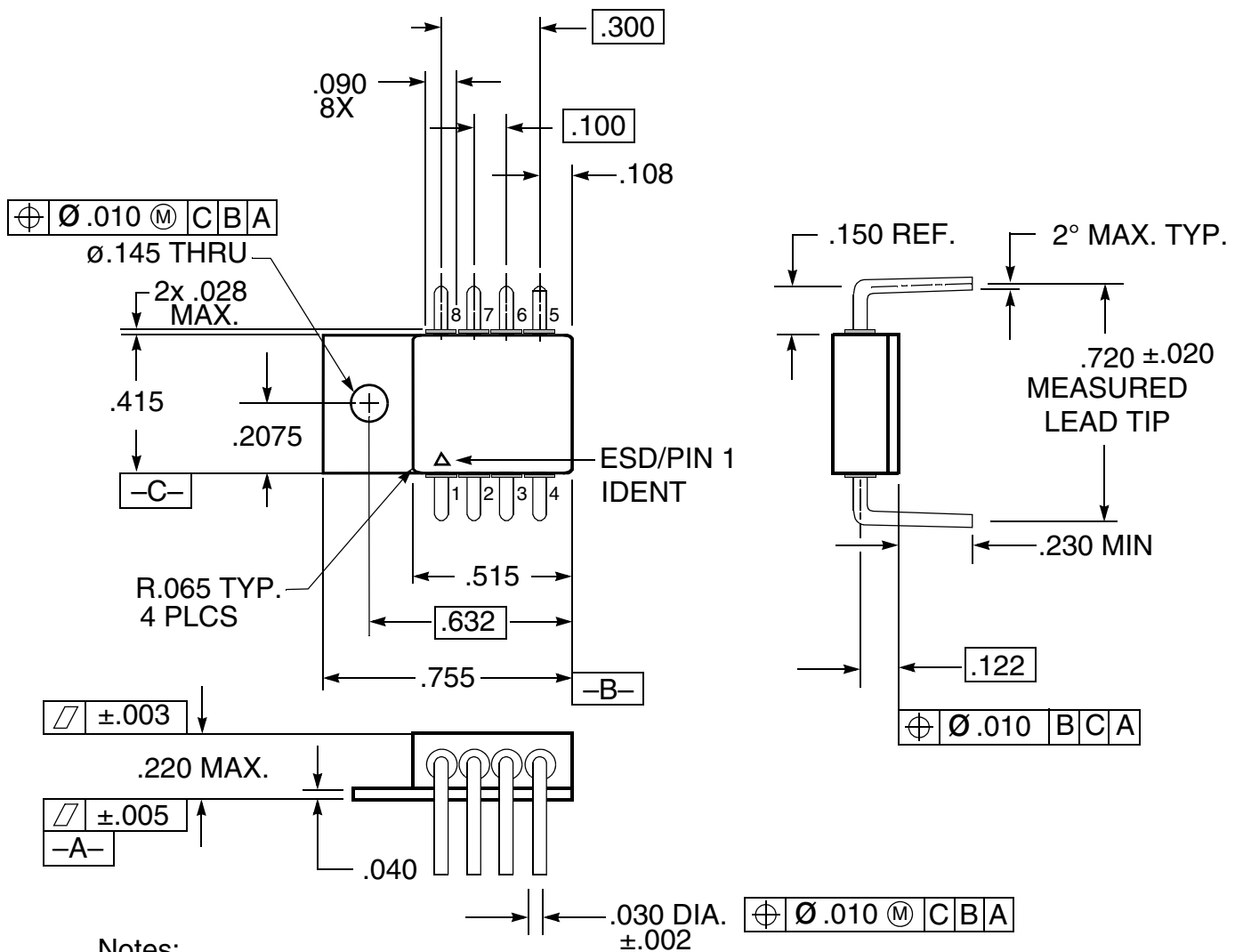
*R1 SHOULD BE CONNECTED DIRECTLY TO GROUND LEAD, NOT TO THE LOAD, SO THAT $r_a \approx 0\Omega$. THIS LIMITS THE OUTPUT VOLTAGE ERROR TO $(I_{GND})(r_b)$. ERRORS CREATED BY r_a ARE MULTIPLIED BY $(1 + R2/R1)$. NOTE THAT V_{OUT} INCREASES WITH INCREASING GROUND PIN CURRENT. R2 SHOULD BE CONNECTED DIRECTLY TO LOAD FOR REMOTE SENSING. $C1 = C2 \geq 2\mu F$ Tantalum.

R1 & R2 LOCATION & PROPER CONNECTION OF POSITIVE SENSE LEAD

FIGURE 8 – BASIC RH1185 ADJUSTABLE REGULATOR APPLICATION

TABLE I – PIN NUMBERS vs FUNCTION

PIN	FUNCTION
1	POS_ADJ_1
2	NEG_REF_2
3	NEG_VOUT_2
4	NEG_VIN_2
5	NEG_GND_2
6	NEG_FB_2
7	POS_VOUT_1
8	POS_VIN_1

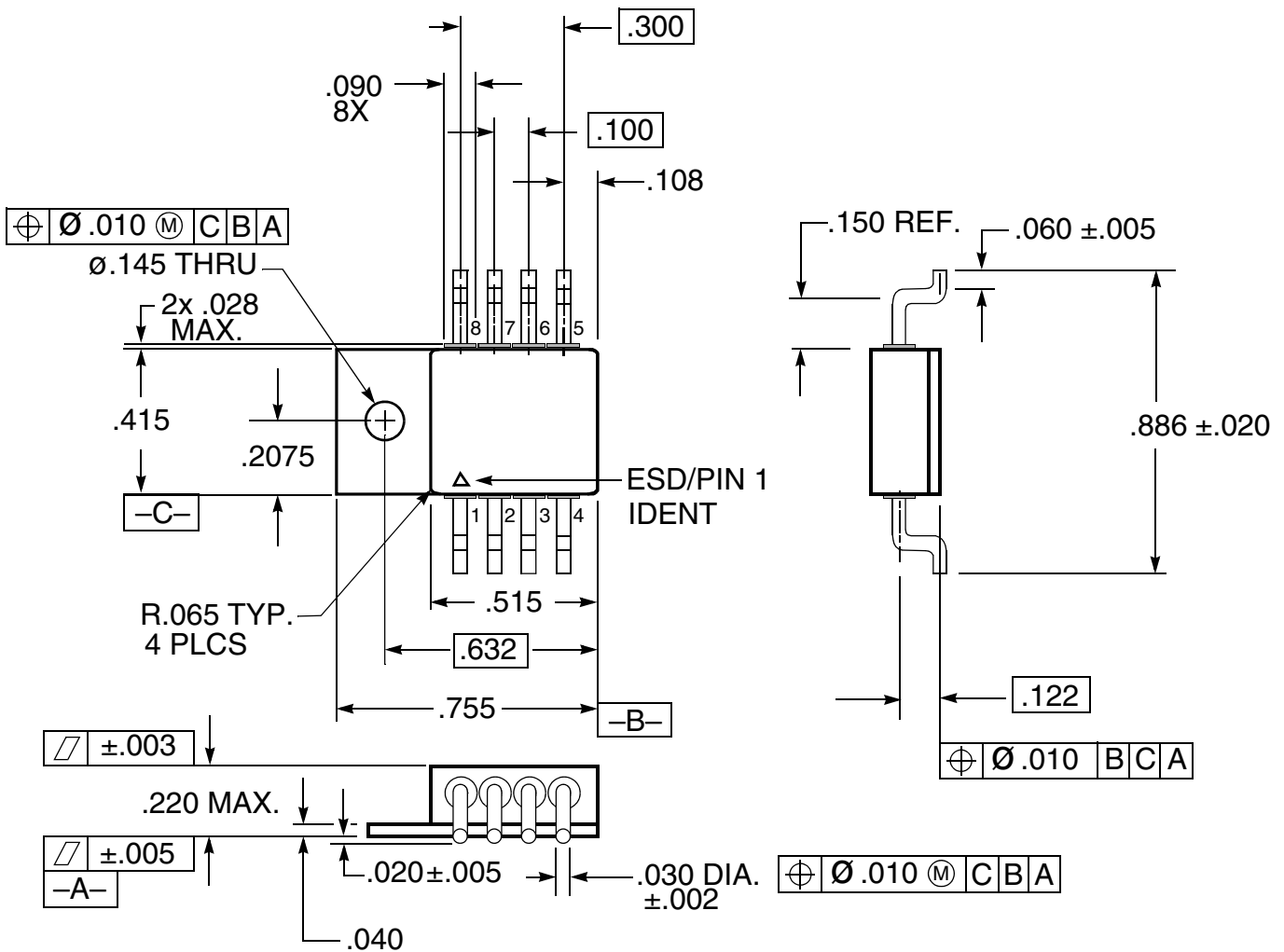


- Notes:
1. Dimension Tolerance: $\pm.005$ inches
 2. Package contains BeO substrate
 3. Case electrically isolated

FIGURE 9 – PACKAGE OUTLINE — THRU-HOLE POWER PACKAGE

TABLE II – PIN NUMBERS vs FUNCTION

PIN	FUNCTION
1	POS_ADJ_1
2	NEG_REF_2
3	NEG_VOUT_2
4	NEG_VIN_2
5	NEG_GND_2
6	NEG_FB_2
7	POS_VOUT_1
8	POS_VIN_1



Notes:

1. Dimension Tolerance: $\pm .005$ inches
2. Package contains BeO substrate
3. Case electrically isolated

FIGURE 10 – PACKAGE OUTLINE — SURFACE MOUNT POWER PACKAGE

ORDERING INFORMATION

MODEL	DESC SMD #	SCREENING	PACKAGE
VRG8651-S		Military Temperature, -55°C to +125°C Screened in accordance with MIL-PRF-38534, Class K.	8 Lead Thru-Hole Power Pkg
VRG8651-7		Commercial Flow, +25°C testing only	
VRG8652-S		Military Temperature, -55°C to +125°C Screened in accordance with MIL-PRF-38534, Class K	8 Lead Surface Mount Power Pkg
VRG8652-7		Commercial Flow, +25°C testing only	
VRG8651-001-1S VRG8651-001-2S	5962-0920101KUC 5962-0920101KUA	DSCC SMD 5962-09201 Pending	8 Lead Thru-Hole Power Pkg
VRG8652-201-1S VRG8652-201-2S	5962-0920101KZC 5962-0920101KZA		8 Lead Surface Mount Power Pkg

EXPORT CONTROL:

This product is controlled for export under the International Traffic in Arms Regulations (ITAR). A license from the U.S. Department of State is required prior to the export of this product from the United States.

EXPORT WARNING:

Aeroflex's military and space products are controlled for export under the International Traffic in Arms Regulations (ITAR) and may not be sold or proposed or offered for sale to certain countries. (See ITAR 126.1 for complete information.)

PLAINVIEW, NEW YORK

Toll Free: 800-THE-1553
Fax: 516-694-6715

INTERNATIONAL

Tel: 805-778-9229
Fax: 805-778-1980

NORTHEAST

Tel: 603-888-3975
Fax: 603-888-4585

SE AND MID-ATLANTIC

Tel: 321-951-4164
Fax: 321-951-4254

WEST COAST

Tel: 949-362-2260
Fax: 949-362-2266

CENTRAL

Tel: 719-594-8017
Fax: 719-594-8468

www.aeroflex.com info-ams@aeroflex.com

Aeroflex Microelectronic Solutions reserves the right to change at any time without notice the specifications, design, function, or form of its products described herein. All parameters must be validated for each customer's application by engineering. No liability is assumed as a result of use of this product. No patent licenses are implied.



and the Linear Technology logo are registered trademarks and RH1185 & RH1086 are a copyright of Linear Technology



Our passion for performance is defined by three attributes represented by these three icons: solution-minded, performance-driven and customer-focused