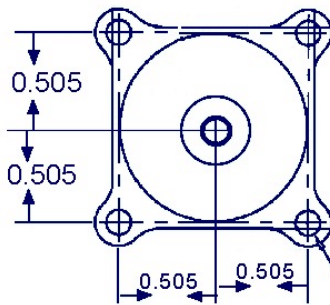
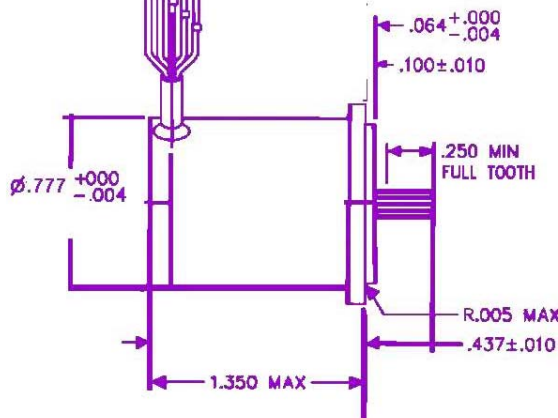


90 Degree Stepper Motors Size 8



Pulse Rate (pps max)
 Km (in-oz/ $\sqrt{\text{watts}}$)
 Running torque @60 pps (in-oz)
 Holding torque (in-oz)
 Detent torque (in-oz)
 Kt (in-oz/amp)
 Phase resistance (ohms)
 Power - Single Winding (watts)

Unipolar Windings

	<u>-101</u>	<u>-102</u>
Pulse Rate (pps max)	150	150
Km (in-oz/ $\sqrt{\text{watts}}$)	0.95	0.95
Running torque @60 pps (in-oz)	1.2	1.2
Holding torque (in-oz)	2.7	2.7
Detent torque (in-oz)	0.5	0.5
Kt (in-oz/amp)	7.9	4
Phase resistance (ohms)	68	18
Power - Single Winding (watts)	8.5	8.5

4x $\phi .133^{+.006}_{-.000}$
 $\oplus \phi .010 \text{ (A) B (S)}$

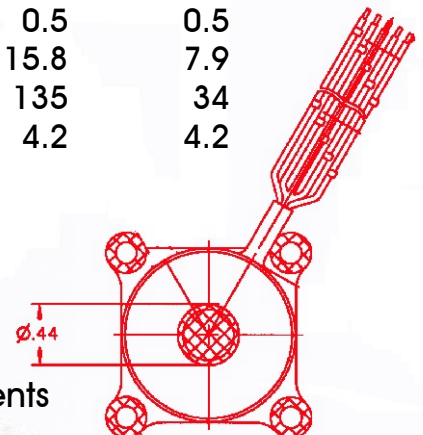
Pulse Rate (pps max)
 Km (in-oz/ $\sqrt{\text{watts}}$)
 Running torque @61 pps (in-oz)
 Holding torque (in-oz)
 Detent torque (in-oz)
 Kt (in-oz/amp)
 Phase resistance (ohms)
 Power - Single Winding (watts)

Bipolar Windings

	<u>-101</u>	<u>-102</u>
Pulse Rate (pps max)	150	150
Km (in-oz/ $\sqrt{\text{watts}}$)	1.35	1.35
Running torque @61 pps (in-oz)	1.2	1.2
Holding torque (in-oz)	2.7	2.7
Detent torque (in-oz)	0.5	0.5
Kt (in-oz/amp)	15.8	7.9
Phase resistance (ohms)	135	34
Power - Single Winding (watts)	4.2	4.2

Features

- Space Qualified
- Available with pinion for gearhead applications
- Unipolar or Bipolar drive winding options available
- Ceramic or steel ball bearing options are available
- Dry or wet lubrication options are available
- All materials are compliant with NASA outgassing requirements



Motion Control Systems Division

350 Kennedy Drive
 Hauppauge, NY 11788
 Phone: (631) 231-9100

E-Mail sales-motion@aeroflex.com

